






Digital electro-pneumatic positioner: SideControl

- Compact and robust design
- Easy to start up using Tune function
- Integrated diagnostic functions for valve monitoring
- Dynamic actuating system with no air consumption in controlled state
- EtherNet/IP, PROFINET, Modbus TCP, PROFIBUS DP-V1 or Bürkert system bus (büS)

Product variants described in the data sheet may differ from the product presentation and description.

Can be combined with

	<p>Control valve system Diaphragm linear actuator</p>
	<p>Control valve system Rotary actuator</p>
	<p>Control valve system Rotary actuator with remote positioner</p>
	<p>Control valve system Control valve with remote positioner</p>
	<p>Control valve system Hygienic process control valve with remote positioner</p>

Type description

The robust and compact positioner is designed with standardisation acc. to IEC 60534-6-1 or VDI/VDE 3845 (IEC 60534-6-2) for assembly onto linear and rotary actuators. In addition, the variant with remote position sensor can be combined with Bürkert process control valves for closed-loop control. The digital electro-pneumatic positioner, SideControl, can be operated with all standard current and voltage standard signals and can also optionally be equipped with the fieldbus interface. The positioner is equipped with additional diagnostic functions to monitor the valve. Valve diagnostic messages via status signals are issued in accordance with NE107 (NAMUR) and recorded as historical entries. The diagnostics can be used to monitor the operating conditions of the control valve which makes maintenance decisions predictable and optimises the availability of the plants as required. Operation is carried out via the external operating and display module consisting of a graphic display with backlight. For the user, this results in very simple and clear operation, which is identical to the Bürkert TopControl 8692/8693 positioners and process controllers. The pneumatic actuating system can be used equally for single-acting and double-acting actuators. It features a defined safety response in the event of failure of the electrical or pneumatic power supply and has an enormous air capacity range with pressure supply up to 7 bar.

Table of contents

1. General technical data	3
1.1. Positioner SideControl Type 8792.....	3
1.2. Linear remote position sensor (ELEMENT Type 8798).....	5
1.3. Rotative remote position sensor (NAMUR).....	5
1.4. Position feedback with proximity switches (accessories for retrofitting).....	6
2. Dimensions	7
2.1. NAMUR version.....	7
2.2. Remote version.....	8
2.3. Mounting specification of NAMUR/Remote Version.....	9
NAMUR version.....	9
Remote version.....	9
2.4. ATEX/IECEx version.....	10
2.5. Remote position sensor version.....	10
2.6. Mounting on control valve acc. to NAMUR.....	11
3. Device/Process connections	12
3.1. Electrical connections.....	12
Multipole connection.....	12
PROFIBUS DP connection.....	14
EtherNet/IP-, PROFINET-, Modbus TCP connection.....	15
Bürkert system bus (bÜS) connection.....	16
4. Performance specifications	18
4.1. Signal flow diagram.....	18
Position control loop.....	18
Additional software options of the positioner SideControl Type 8792 (extract).....	18
4.2. Interface diagram.....	19
Version without fieldbus communication.....	19
Version with fieldbus communication.....	19
5. Product installation	20
5.1. Mounting options.....	20
NAMUR version.....	20
Remote version.....	21
Position feedback with proximity switches.....	22
5.2. Combination possibilities with pneumatic process valves.....	23
6. Ordering information	24
6.1. Bürkert eShop – Easy ordering and quick delivery.....	24
6.2. Bürkert product filter.....	24
6.3. Ordering chart.....	24
Positioner SideControl Type 8792 NAMUR version.....	24
Positioner SideControl Type 8792 remote version.....	25
Remote position sensor for remote version of SideControl Type 8792.....	26
6.4. Ordering chart Accessories.....	26
Standard accessories.....	26
Accessories SideControl NAMUR.....	27
Accessories for SideControl Remote.....	27

1. General technical data

1.1. Positioner SideControl Type 8792

Product properties	
Dimensions	Detailed information can be found in chapter "2. Dimensions" on page 7.
Material	
Housing	Aluminium plastic-coated
Seals	EPDM, NBR, FKM
Operation	
Display	Graphic display with backlight and intuitive menu navigation
Operating keys	Membrane keypad with 4 keys
Service interface	Connected to PC via USB connection
Configuration tool	Bürkert Communicator PACTware (only for device versions with PROFIBUS)
Commissioning	
Initialization positioner	Automatic by X.TUNE function (automatic adjustment of the positioner)
Status display	
Optical position indicator (mechanical)	Integrated (for NAMUR Version)
Communication	
Fieldbus	EtherNet/IP, PROFINET, Modbus TCP, PROFIBUS DP-V1
Digital	Bürkert system bus (büS) - based on CANopen
Performance data	
Position sensor	
Integrated position sensor (NAMUR)	Conductive plastic rotary potentiometer
External remote position sensor	Linear or rotative
Measuring range for rotary actuator	
PROFIBUS	Rotation angle: 30°...150°
EtherNet/IP, PROFINET, Modbus TCP and büS	Rotation angle: 30°...180°
Stroke range for linear actuator	3...130 mm, depending on the lever of the attachment kit
Electrical data	
Operating voltage	24 V DC ± 10 %
Residual ripple	Max. 10 %
Power consumption	<5 W
Protection class	III acc. to DIN EN 61140
Input /Output	
Digital input	1 binary input, galvanically isolated, 0...5 V = log "0", 10...30 V = log "1"
Digital output	2 binary output (optional), galvanically isolated
Current limitation pro digital output	100 mA, output will be synchronised when overloaded
Analogue output	1 output (optional) 0/4...20 mA, 0...5/10 V
Input data setpoint and actual value	
Setpoint signal	
Setpoint setting	0/4...20 mA 0...5/10 V
Input resistance	0/4...20 mA: 70 Ω 0...5/10 V: 20 kΩ
Electrical connection	
Multipole version	Screw terminals: M8, M12 acc. to device version (see connection description)
Cable gland version	2x M20 × 1.5 (cable Ø6...12 mm) on screw terminals (0.14...1.5 mm ²)
Remote version	1x M12 × 1.5 (cable Ø3...6.5 mm)

Pneumatic data	
Control medium	Neutral gases, air, quality class acc. to ISO 8573-1
Dust content	Class 7 (<40 µm particle size)
Particle density	Class 5 (<10 mg/m ³)
Pressure dew point	Class 3 (<-20 °C)
Oil content	Class X (<25 mg/ m ³)
Air supply filter	Exchangeable
Mesh size	~0.1 mm
Supply pressure	1.4...7 bar ^{1.)2.)}
Pilot air port	Threaded port G ¼
Positioning system	
Universal air capacity	
Single and double acting	50 l _N /min (at 1.4 bar ^{2.)}) for aeration and ventilation 150 l _N /min (at 6 bar ^{2.)}) for aeration and ventilation Q _{Nn} = 100 l _N /min
Low air capacity	
Single acting	Q _{Nn} = 7 l _N /min (Q _{Nn} acc. to definition at pressure drop from 7 to 6 bar absolute)
Approvals and certificates	
Conformity	EMV directive 2014/30/EU
UL	CAN/CSA-C22 2 no. 139 UL 429
CSA	Class 3221 82-VALVES - actuator - Cert. acc. to US Standards Class 3221 02-VALVES - actuator
ATEX	II 3G Ex ec ic IIC T4 Gc II 3D Ex tc IIIC T135 °C Dc Certificate: BVS 16 ATEX E 118 X
IECEX	Ex ec ic IIC T4 Gc Ex tc IIIC T135 °C Dc Certificate: IECEX BVS 16.0091 X
CCC (China Compulsory Certificate)	For devices with Ex approval
Environment and installation	
Operating conditions	
Ambient temperature	
With ATEX-/IECEX approval	0...+60 °C
Without Ex approval	-10...+60 °C
Degree of protection	IP65/IP67 acc. to EN 60529, 4X acc. to NEMA 250 Standard
Operating altitude	Up to 2000 m above sea level
Installation and mechanical data	
Mounting variant	NAMUR acc. to IEC 60534-6-1 resp. VDI/VDE 3845 (IEC 60534-6-2), remote
Installation position	As required, display above or sideways
Valve actuator (type, size)	Rotary and linear actuators acc. to NAMUR, ELEMENT Type 2301, 2300 (Actuator size Ø70/90/130 mm) and CLASSIC (Actuator size Ø175/225 mm) in combination with remote version
Adapter kit	Detailed information can be found in chapter "6.4. Ordering chart Accessories" on page 26

1.) The supply pressure has to be 0.5...1 bar above the minimum required pilot pressure for the valve actuator.

2.) Pressure data: Overpressure to atmospheric pressure

1.2. Linear remote position sensor (ELEMENT Type 8798)

Note:

When mounting the remote positioner away from the actuator, the length of the pneumatic control lines influences the dynamics and accuracy of the position control loop. The length of the control air lines should therefore be as short as possible.

Product properties	
Actual position signal	Digital (RS485)
Detection range of the sensor	3...45 mm (stroke range of valve spindle)
Electrical data	
Operating voltage	24 V DC \pm 10 %
Protection class	III acc. to DIN EN 61140
Power consumption	< 0.3 W
Electrical connection	
Cable gland (cable length)	1x M16x1.5 (Cable \varnothing 5...10 mm) on screw terminals (0.14...1.5 mm ²)
Connection cable	10 m
Approvals and Certificates	
Degree of protection	IP65 and IP67 acc. to EN 60529, 4X acc. to NEMA 250 Standard
Ignition protection	II 3G Ex ec IIC T4 Gc II 3D Ex tc IIIC T135 °C Dc
Conformity	EMC directive 2014/30/EU
Approvals	cULus certificate no. 238179
CCC (China Compulsory Certificate)	For devices with Ex approval
Environment and installation	
Ambient temperature	-25...+80 °C

1.3. Rotative remote position sensor (NAMUR)

Note:

When mounting the remote positioner away from the actuator, the length of the pneumatic control lines influences the dynamics and accuracy of the position control loop. The length of the control air lines should therefore be as short as possible.

Product properties	
Stroke range when mounted to linear actuator	3...130 mm, depending on the lever of the attachment kit
Actual position signal	Digital (RS485)
Measuring range	Rotation angle 30°...180°
Electrical data	
Operating voltage	10...30 V DC
Protection class	III acc. to DIN EN 61140
Power consumption	< 0.8 W
Electrical connection	2 m round cable (shielded)
Approvals and certificates	
Degree of protection	IP65 acc. to EN 60529
Conformity	EMC directive 2014/30/EU
Approval	UL (cULus) certificate no. E226909
Environment and installation	
Ambient temperature	-25...+80 °C

1.4. Position feedback with proximity switches (accessories for retrofitting)

Note:

The position feedback has two proximity switches which are independently adjustable via switch lugs.

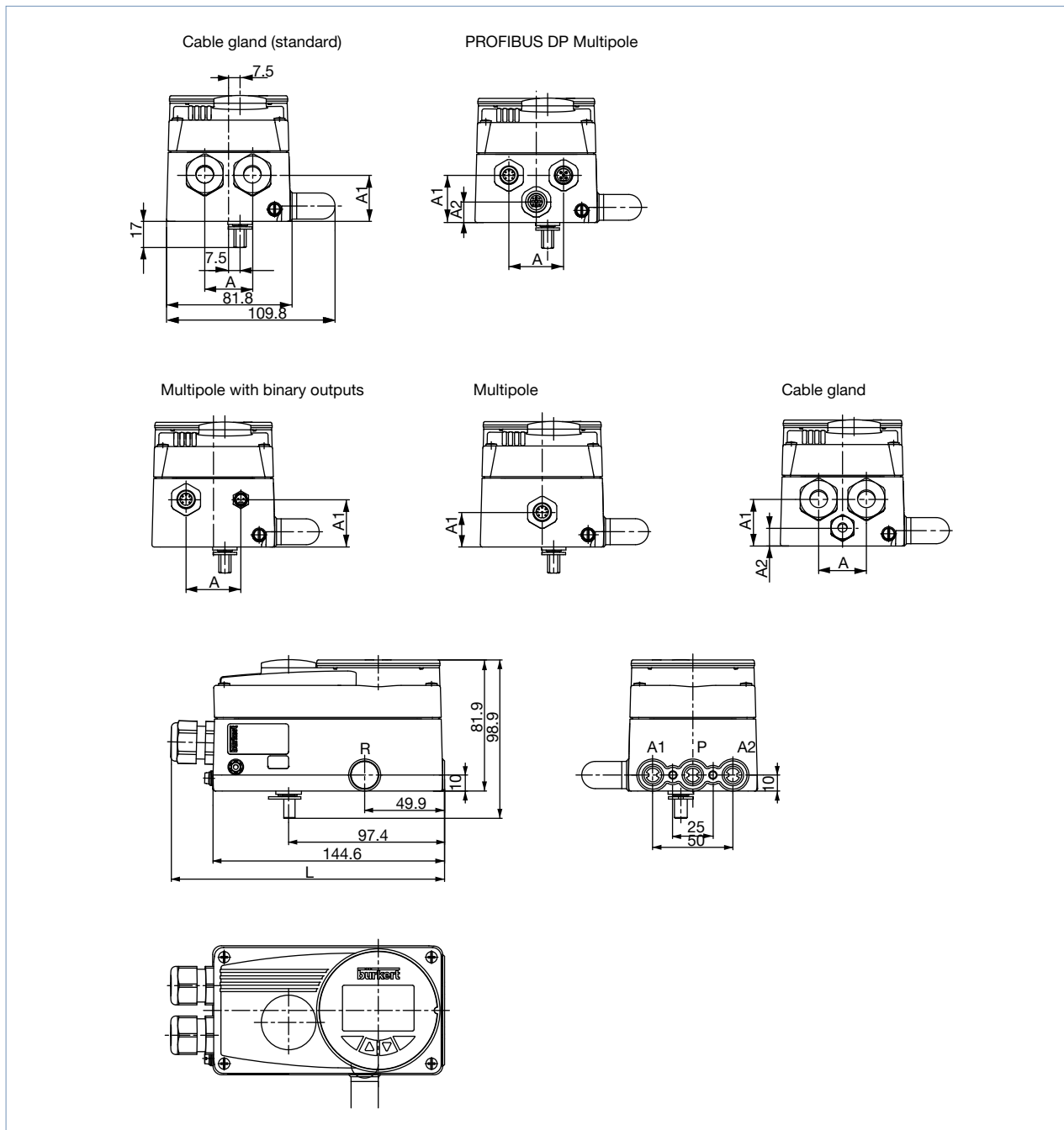
Product properties	
Output function	3-wire, normally open contact, PNP
Electrical data	
Electrical connection	M12, 4-pin
Operating voltage	10...30 V DC
Protection class	III acc. to DIN EN 61140
DC rated current	≤ 100 mA
Residual ripple	≤ 10 % U _{ss}
Approvals and Certificates	
Degree of protection	IP65 and IP67
Protection class	III acc. to DIN EN 61140
Conformity	EMC directive 2014/30/EU

2. Dimensions

2.1. NAMUR version

Note:

Dimensions in mm



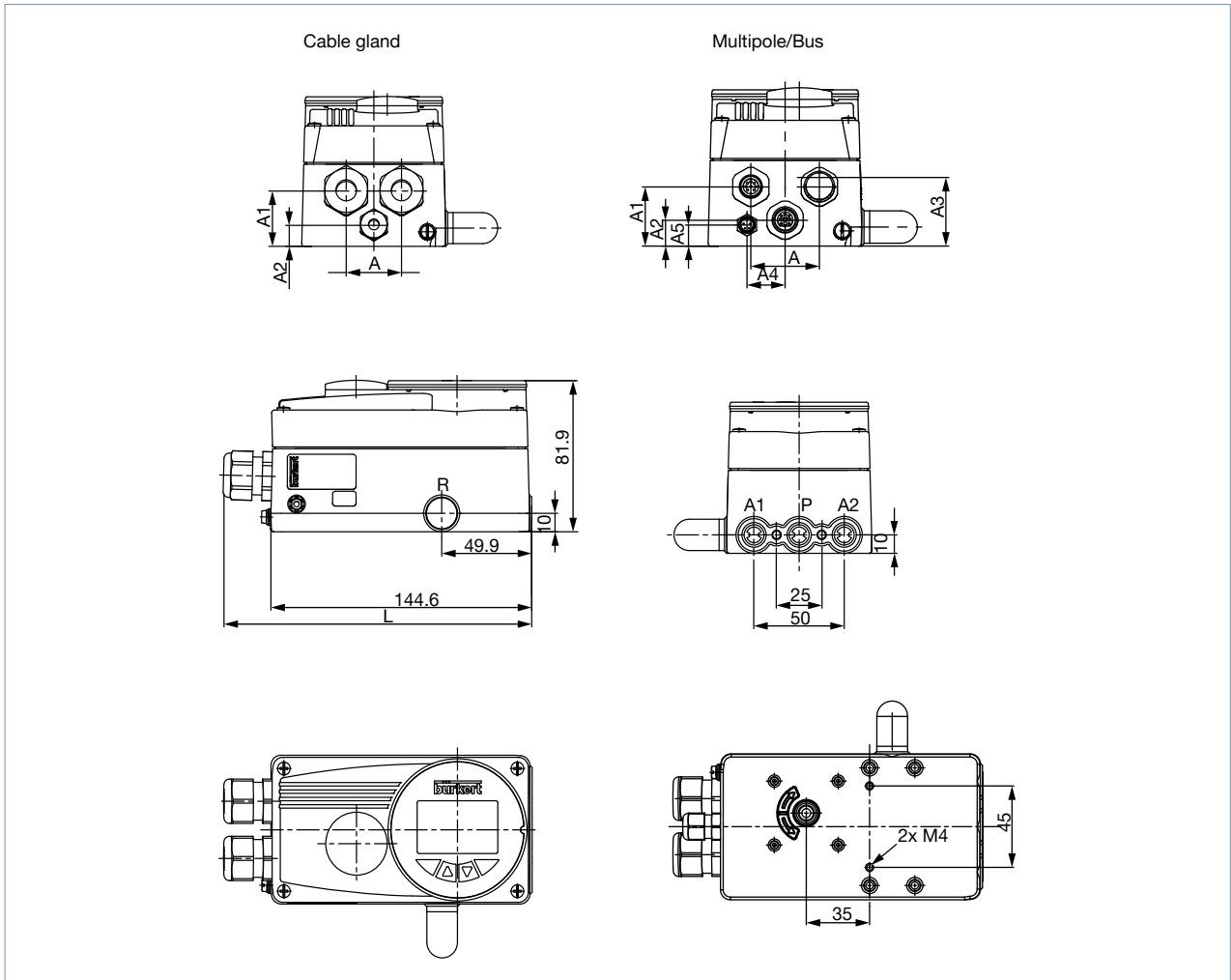
Description	L	A	A1	A2
Standard	171.1	31	30	–
PROFIBUS DP	157.8	36	31	13.5
Multipole binary outputs	157.6	36	31	–
Multipole	157.4	–	22.5	–
Remote	171.1	31	30	11.5

DTS 1000121137 EN Version: AE Status: RL (released | freigegeben | valide) printed: 20.04.2023

2.2. Remote version

Note:

Dimensions in mm



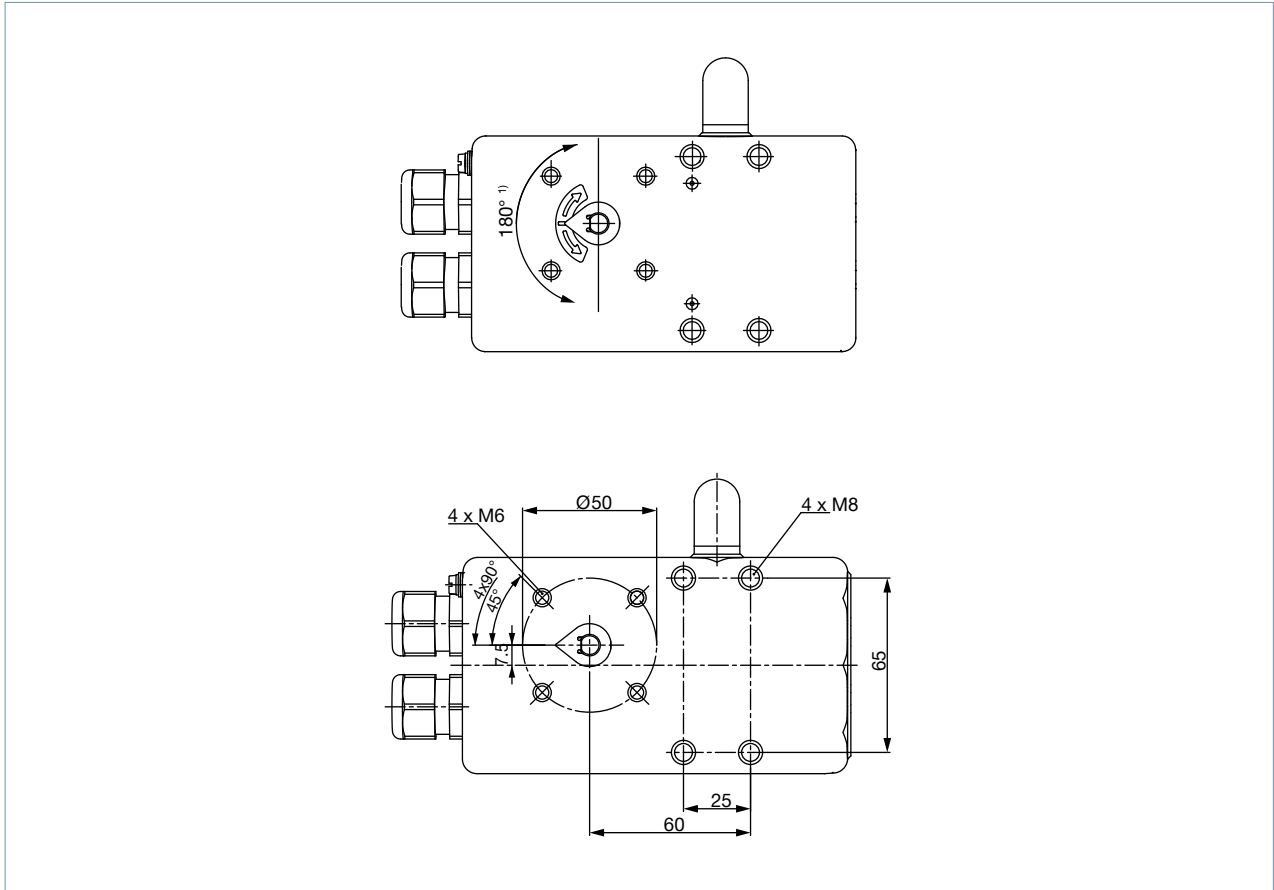
Description	L	A	A1	A2	A3	A4	A5
Remote cable gland	171.1	31	30	11.5	-	-	-
Remote multipole/bus	157.8	36	31	13.5	36	20	11

2.3. Mounting specification of NAMUR/Remote Version

Note:

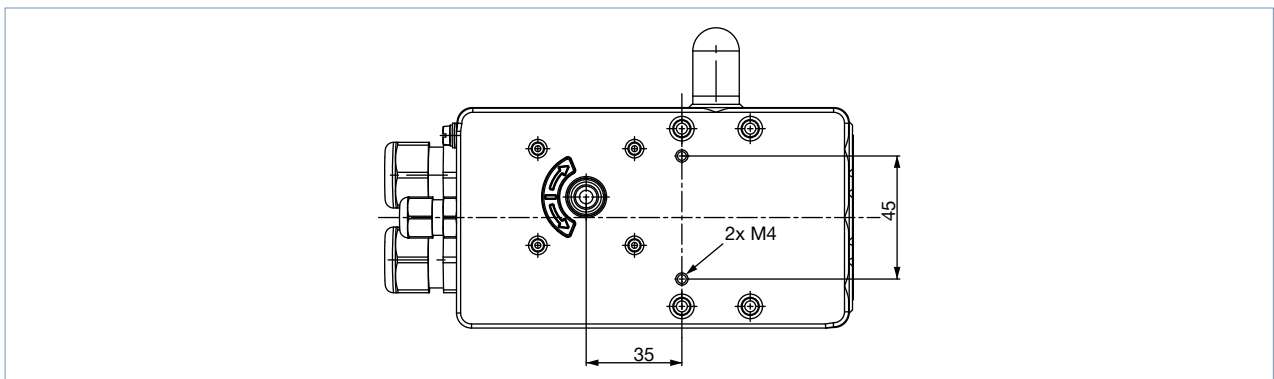
- Dimensions in mm
- The rotation angle of the sensor must be within a range of 180°^{1.)}.
- With the valve open approx. 50 %, the sensor indicator should be in this position.

NAMUR version



1.) or the EtherNet/IP, PROFINET, Modbus TCP and bUS versions a max. of 180° is possible. For the other versions max. 150°.

Remote version

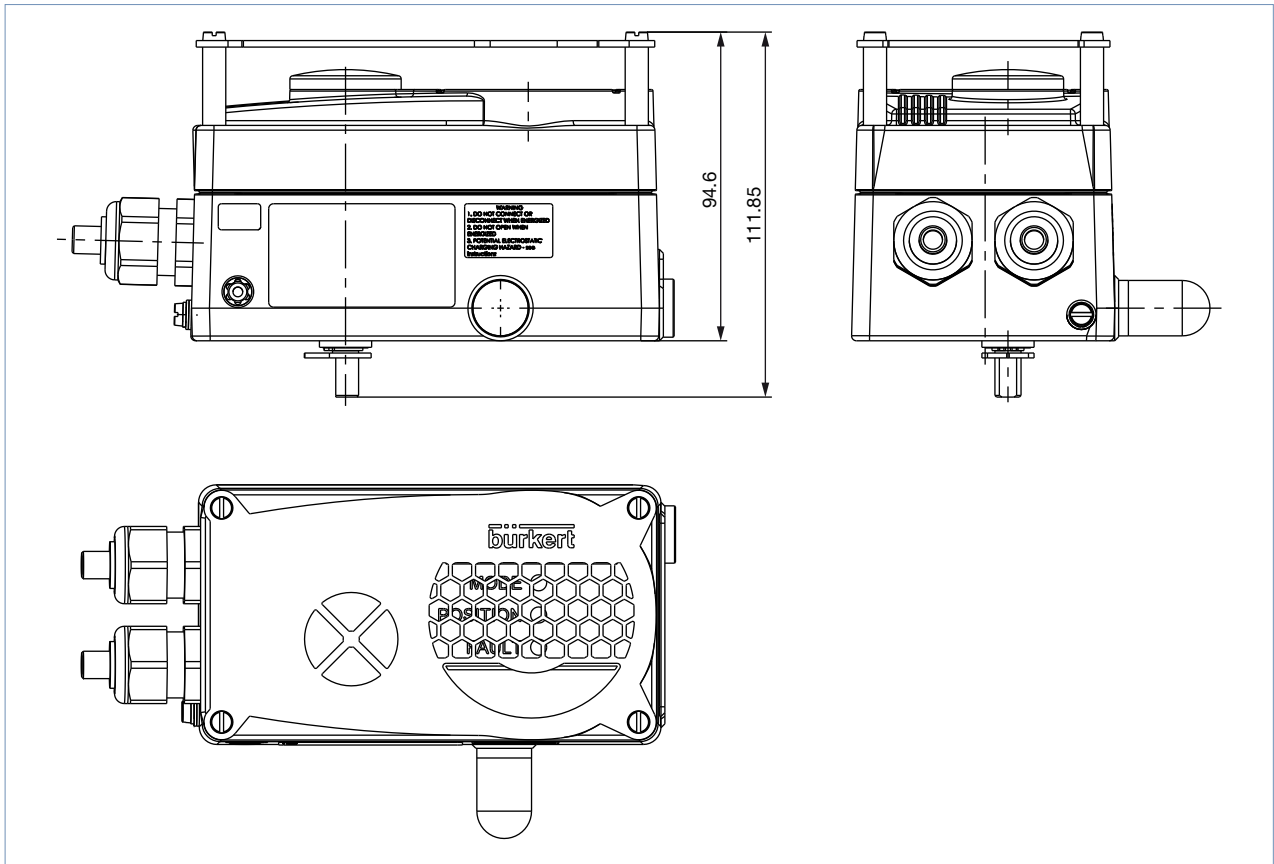


DTS 1000121137 EN Version: AE Status: RL (released | freigegeben | valide) printed: 20.04.2023

2.4. ATEX/IECEX version

Note:

Dimensions in mm

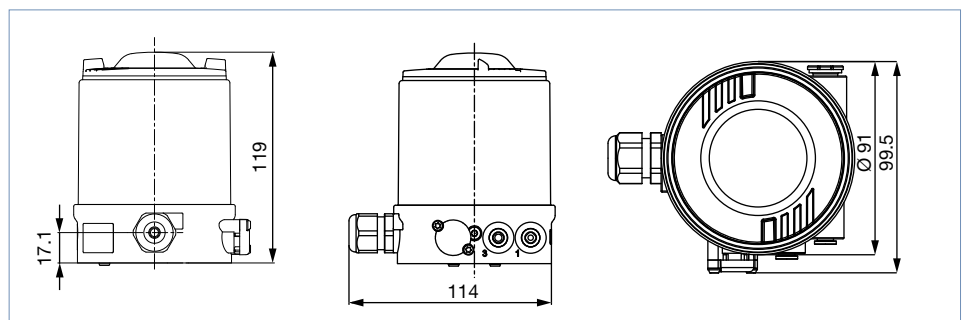


2.5. Remote position sensor version

Note:

Dimensions in mm

Linear position sensor, Type 8798, for valve position detection of Bürkert ELEMENT and hygienic process valves for the remote SideControl positioner .

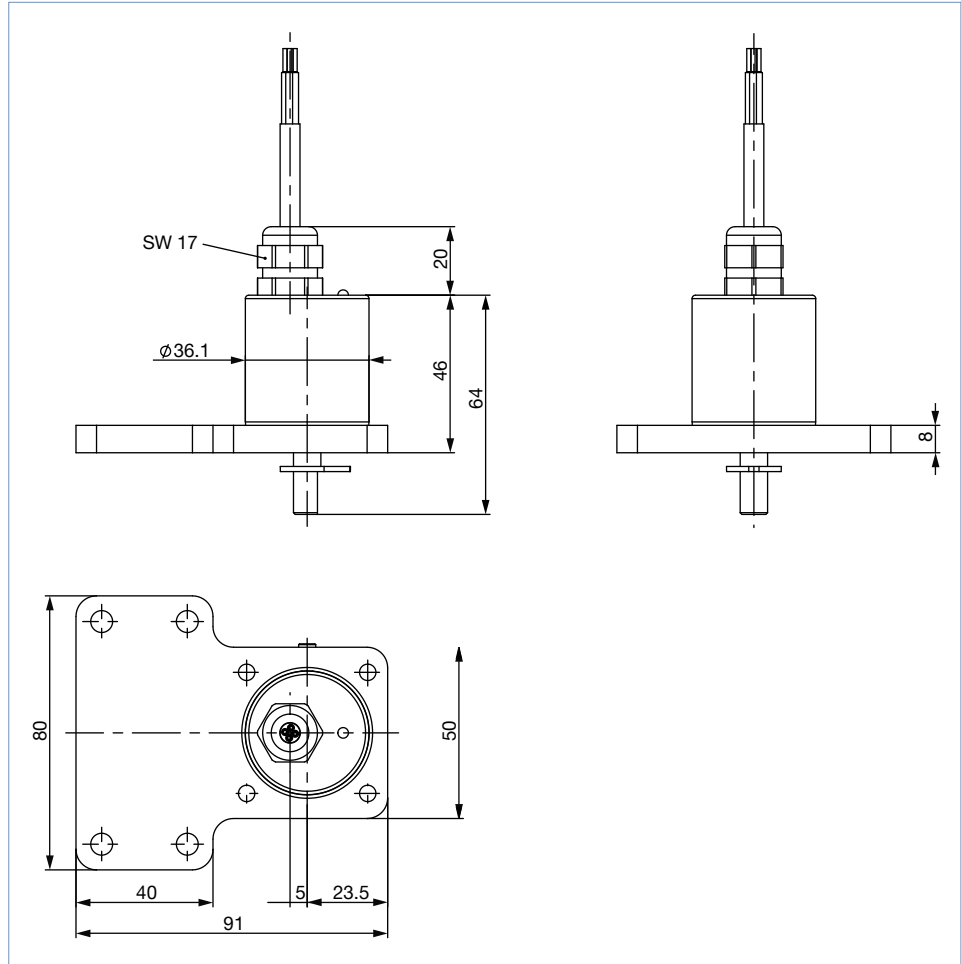


2.6. Mounting on control valve acc. to NAMUR

Note:

Dimensions in mm

Rotative position sensor to detect rotary motion of rotary actuators acc. to NAMUR/IEC 60534-6-1 and VDI/VDE 3845 (IEC 60534-6-2) for the remote SideControl positioner.

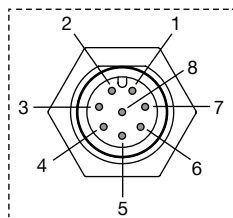


3. Device/Process connections

3.1. Electrical connections

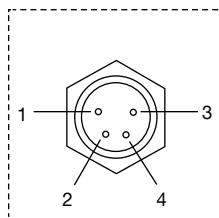
Multipole connection

Operating voltages with diverse signals

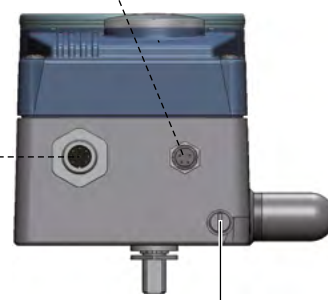


M12 Circular connector, 8 pin

Binary output (optional)



M8 socket, 4 pin



Earthing function

M12 circular plug, 8-pin (setpoint)

Pin	Pin assignment	Outer circuitry/Signal level
1	Setpoint + (0/4...20 mA or 0...5/10 V)	1 + (0/4...20 mA or 0...5/10 V) Completely galvanically isolated
2	Setpoint GND	2 GND
3	GND	3 24 V DC ± 10 % Max. Residual ripple 10 %
4	+24 V	4 24 V DC ± 10 % Max. Residual ripple 10 %
5	Binary input +	5 + 0...5 V (log. 0) 10...30 V (log. 1)
6	Binary input GND	6 GND
Option analogue feedback		
8	Analogue feedback +	8 + (0/4...20 mA or 0...5/10 V) Completely galvanically isolated
7	Analogue feedback GND	7 GND

M8 socket, 4-pin (only for binary outputs options)

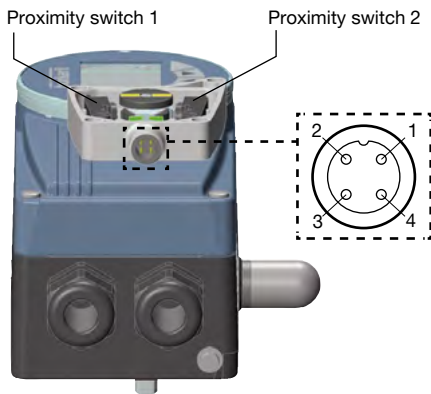
Pin	Pin assignment	Outer circuitry/Signal level
1	Binary output 1	1 24 V/0 V, NC/NO Relative to Operating voltage GND (terminal GND)
2	Binary output 2	2 24 V/0 V, NC/NO Relative to Operating voltage GND (terminal GND)
3	Binary output GND	3 GND

DTS 1000121137 EN Version: AE Status: RL (released | freigegeben | valide) printed: 20.04.2023

Electrical connection Position feedback with proximity switches

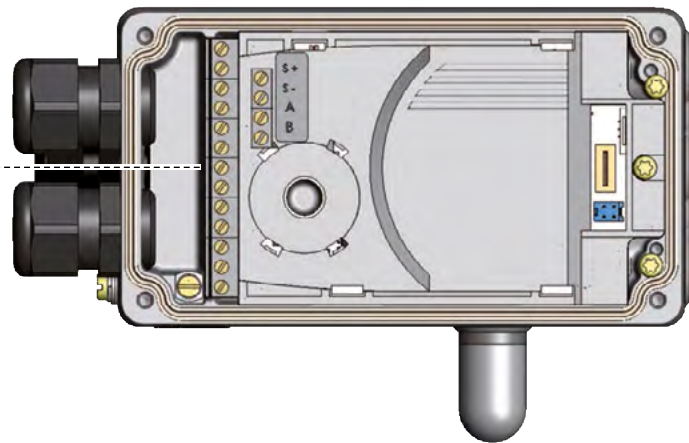
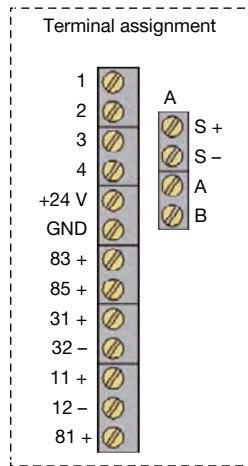
Note:

Accessories for upgrading



No.	Pin assignment	Outer circuitry/Signal level		
1	Supply 10...30 V	+ 10...30 V		10...30 V
2	Switching output (NO) proximity switches 1	+ 10...30 V		open/10...30 V
3	GND	GND		GND
4	Switching output (NO) proximity switches 2	+ 10...30 V		open/10...30 V

Screw terminal connection



Terminal	Pin assignment	Outer circuitry/Signal level			
11 +	Setpoint +	11 +		+ (0/4...20 mA or 0...5/10 V) Completely galvanically isolated	
12 -	Setpoint GND	12 -		GND	
81 +	Binary input +	81 +		+	0...5 V (log. 0)
					10...30 V (log. 1)
Relative to operating voltage GND (terminal GND)					
+24 V	Operating voltage +	+24 V		24 V DC ± 10 %	
GND	Operating voltage GND	GND		Max. Residual ripple 10 %	

Analogue feedback option/binary outputs

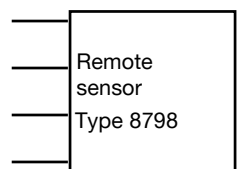
Terminal	Pin assignment	Outer circuitry/Signal level	
83 +	Binary output 1	83 +	 24 V/0 V, NC/NO Relative to Operating voltage GND (terminal GND)
85 +	Binary output 2	85 +	 24 V/0 V, NC/NO Relative to Operating voltage GND (terminal GND)
31 +	Analogue feedback +	31 +	 + (0/4...20 mA or 0...5/10 V) Completely galvanically isolated
32 -	Analogue feedback GND	32 -	 GND

Remote version option in conjunction with remote position sensor Type 8798

Note:

For variants without remote version: Terminals A, B, S+ and S- not connected

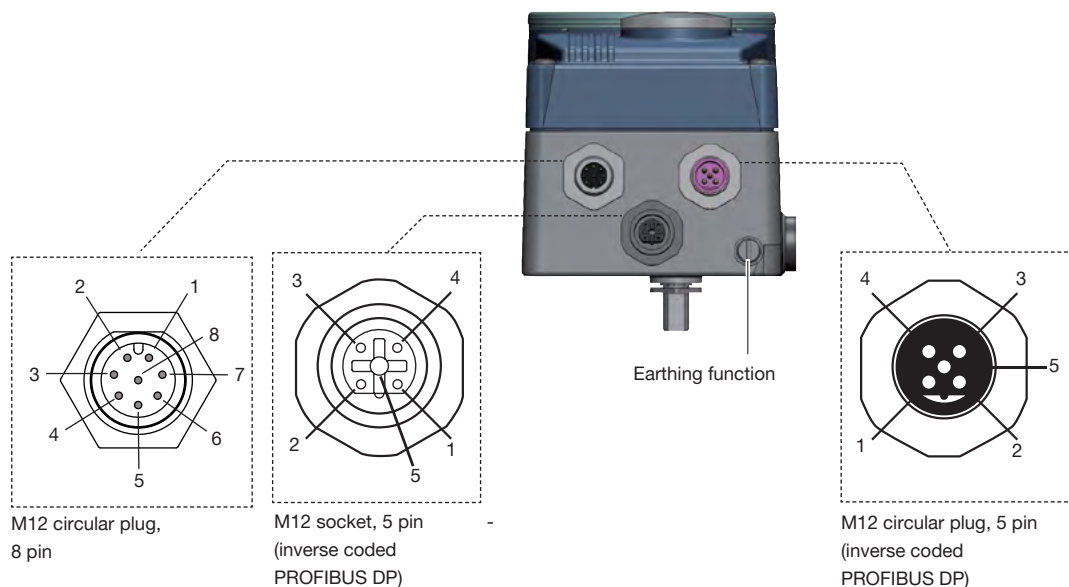
Terminal	Pin assignment		Outer circuitry/Signal level	
Remote position sensor	A	Serial interface, A-line	A	 A-line
	B	Serial interface, B-line	B	 B-line
	S +	Sensor supply +	S +	 +
	S -	Sensor supply -	S -	 -



Remote position sensor Type 8798

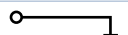

Terminal	Wire colour for cable type		Pin assignment	Outer circuitry	
	1	2			
1	White	Black	Sensor supply -	1	 8791 or
2	Brown		Sensor supply +	2	 8792/8793
3	Yellow	Orange	Serial interface, B-line	3	 8791 or
4	Green	Red	Serial interface, A-line	4	 8792/8793

PROFIBUS DP connection



DTS 1000121137 EN Version: AE Status: RL (released | freigegeben | valide) printed: 20.04.2023

Operating voltage – M12 circular plug, 8-pin

Pin	Pin assignment	Outer circuitry/Signal level
1	Not assigned	
2	Not assigned	
3	GND	3  24 V DC ± 10 %
4	+24 V	4  Max. Residual ripple 10 %
5	Binary input +	
6	Binary input -	
7	Binary output 1 (relative to pin 3)	
8	Binary output 2 (relative to pin 3)	

Fieldbus connection - M12 socket/circular plug, 5-pin

Pin	Pin assignment	Outer circuitry/Signal level
1	VP+5	Load resistance supply
2	RxD/TxD-N	Receive-/Transmit data -N, A-line
3	DGND	Information transfer potential (measured to 5 V)
4	RxD/TxD-P	Receive-/Transmit data -P, B-line
5	Shield	Shield/protective earth

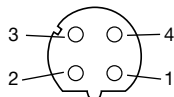
EtherNet/IP-, PROFINET-, Modbus TCP connection



M12 fieldbus connection D-coded

Connection for EtherNet/IP takes place via M12 screw terminals, 4-pin, D-coded

Pin	Description
1	Transmit +
2	Receive +
3	Transmit -
4	Receive -



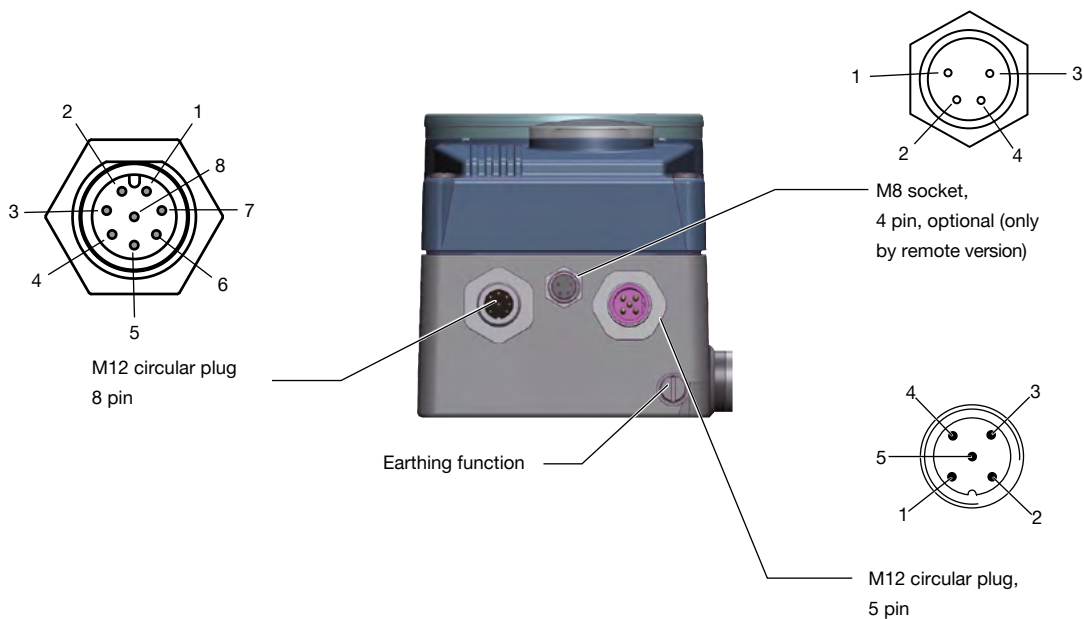
Operating voltage – M12 circular plug, 8-pin

Pin	Pin assignment	Device side	Outer circuitry/Signal level
1	Not assigned		
2	Not assigned		
Operating voltage			
3	GND	3	24 V DC ± 10 % Max. residual ripple 10 %
4	+24 V	4	
Input signal of the control centre (e. g. SPS)			
5	Binary input +	5	0...5 V (log. 0) 10...30 V (log. 1)
6	Binary input –	6	GND (identical to pin 3)
Output signal of the control centre (e. g. SPS) - (only used with binary output option)			
7	Binary output 1 (relative to pin 3)	7	0...24 V
8	Binary output 2 (relative to pin 3)	8	0...24 V

Connection of digital remote position sensor Type 8798 - M8 socket, 4-pin (optional)

Pin	Pin assignment	Device side	Outer circuitry
1	Sensor supply +	S +	Remote sensor Type 8798
2	Sensor supply –	S –	
3	Serial interface, A-line	A	
4	Serial interface, B-line	B	

Bürkert system bus (būS) connection



Fieldbus connection - screw terminals M12x1, 5-pin

Pin	Cable colour	Description
1	CAN Shield/Shielding	CAN Shield/Shielding
2	Not assigned	
3	Black	GND/CAN_GND
4	White	CAN_H
5	Blue	CAN_L

Operating voltage – Circular plug M12, 8-pin

Pin	Pin assignment	Device side	Outer circuitry/Signal level
1	Not assigned		
2	Not assigned		
Operating voltage			
3	GND	3	24 V DC ± 10 %
4	+24 V	4	Max. Residual ripple 10 %
Input signal of the control centre (e. g. SPS)			
5	Binary input +	5	0...5 V (log. 0) 10...30 V (log. 1)
6	Binary input –	6	GND (identical to pin 3)
Output signal of the control centre (e. g. SPS) - (only used with binary output option)			
7	Binary output 1 (relative to pin 3)	7	0...24 V
8	Binary output 2 (relative to pin 3)	8	0...24 V

Connection of digital remote position sensor Type 8798 - M8 socket, 4-pin (optional)

Pin	Pin assignment	Device side	Outer circuitry
1	Sensor supply +	S +	+
2	Sensor supply –	S –	-
3	Serial interface, A-line	A	A-line
4	Serial interface, B-line	B	B-line

Connection of analogue remote position sensor - M8 socket, 4-pin (optional)

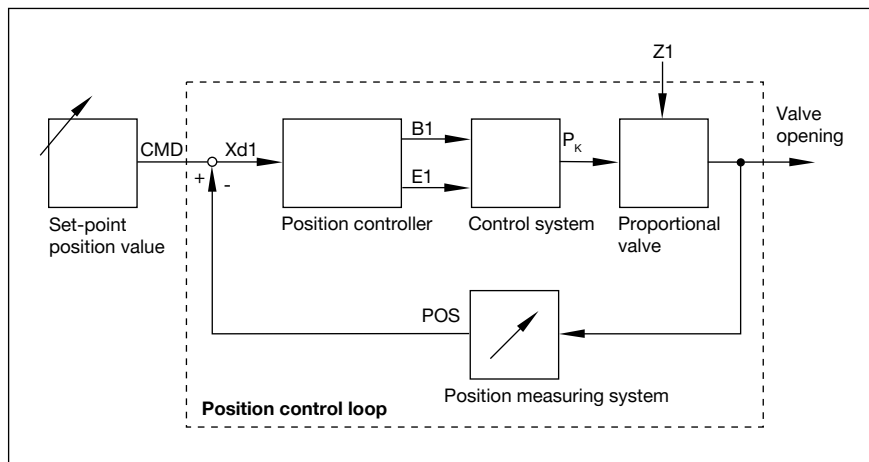
Pin	Pin assignment	Device side	Outer circuitry
1	Potentiometer 1	1	
2	Wiper 2	2	
3	Potentiometer 3	3	
4	Not assigned		

DTS 1000121137 EN Version: AE Status: RL (released | freigegeben | validé) printed: 20.04.2023

4. Performance specifications

4.1. Signal flow diagram

Position control loop



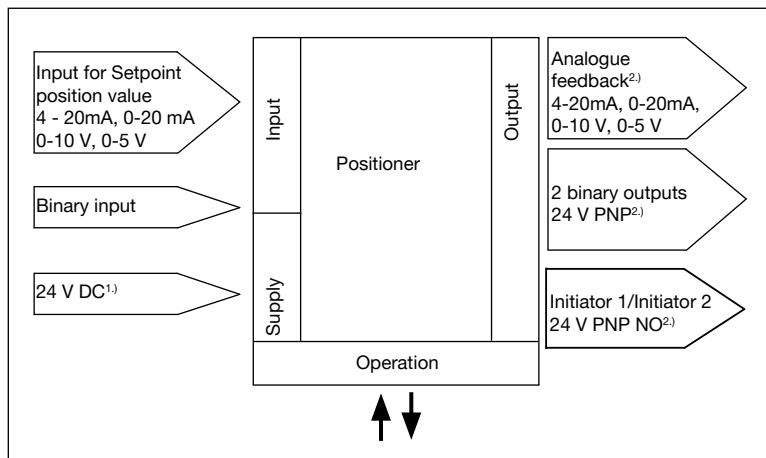
Additional software options of the positioner SideControl Type 8792 (extract)

- Automatic start of the control system
- Automatic or manual characteristics curves selection
- Setting of the seal and the maximum stroke threshold respectively
- Parameterisation of the positioner
- Limitation of the stroke range
- Limitation of the manipulating speed
- Setting of the moving direction
- Configuration of the binary input
- Signal range splitting on several controllers
- Configuration of analogue or 2 binary outputs
- Signal fault detection
- Safety position
- Code protection
- Contrast inversion of the display
- Parameterizable diagnostic functions^{1.)}/binary output (option)
 - Operating-hours counter
 - Path accumulator
 - Position monitoring
 - Graphical display of the dwell time density and movement range
 - Monitoring of the mechanical end positions in the armature

1.) Further diagnostic functions with detailed description can be found in the Operating Instructions **Type 8792** ▶.

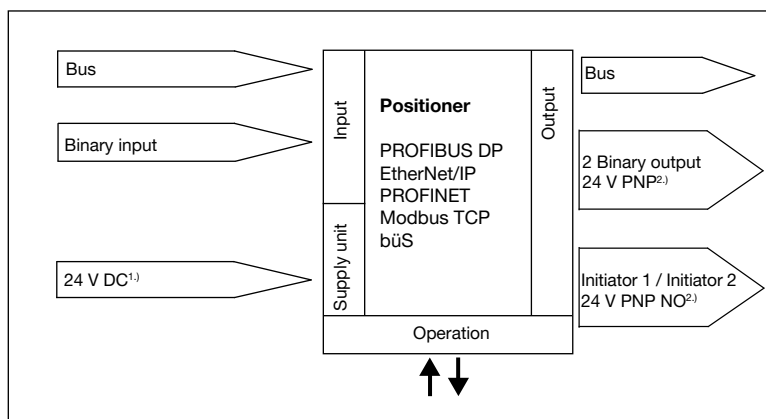
4.2. Interface diagram

Version without fieldbus communication



Version with fieldbus communication

PROFIBUS DP, EtherNet/IP, PROFINET, Modbus TCP and Bürkert system bus (bùS)



1.) The operating voltage is supplied with a 3-wire unit independent from the setpoint signal
 2.) Alternative options

5. Product installation

5.1. Mounting options

NAMUR version

Note:

Positioner with integrated position sensor, mounting acc. to NAMUR/IEC 60534-6-1 and VDI/VDE 3845 (IEC 60534-6-2)

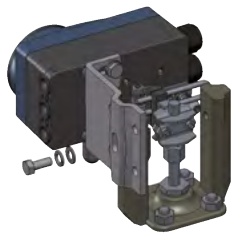
The NAMUR version of the SideControl positioner is equipped with an integrated position sensor (linear or rotary). It has a standardized interface for direct attachment to linear actuators acc. to NAMUR/IEC 60534-6-1 and VDI/VDE 3845 (IEC 60534-6-2).

Linear actuators

See [operating manual](#) ▶

Rotary actuators

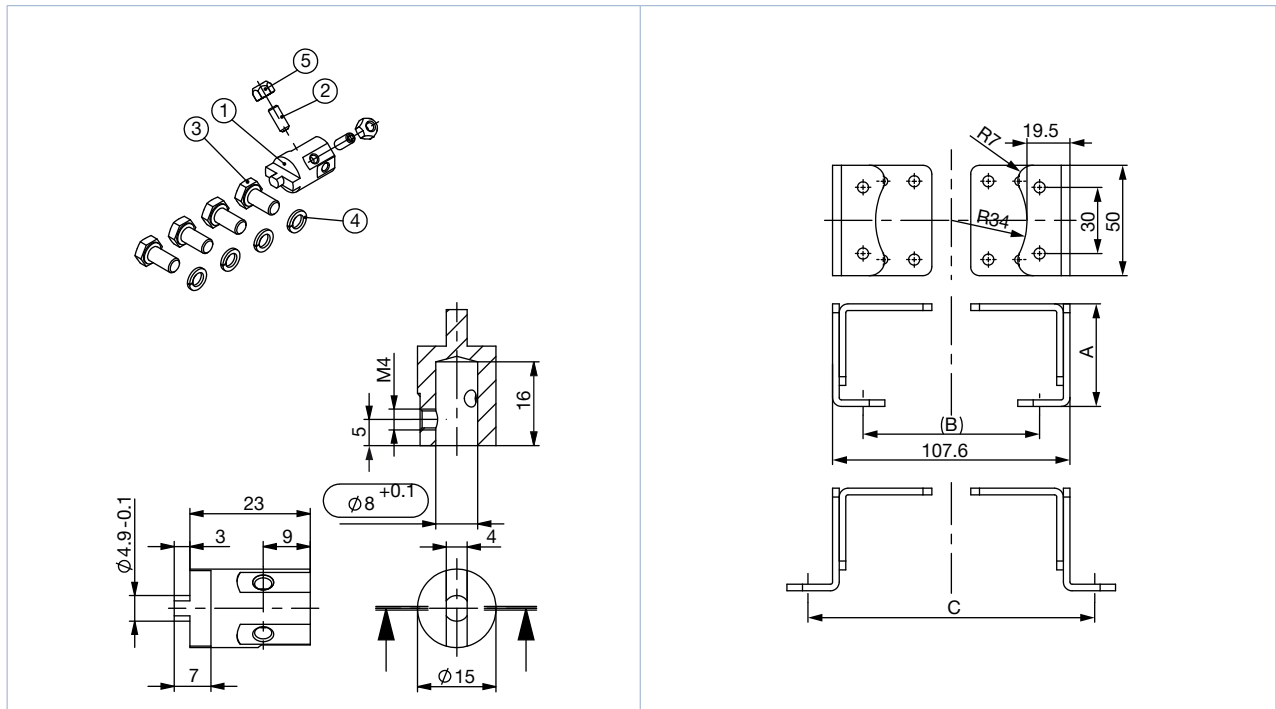
See [operating manual](#) ▶



Description	Article no.	Description	Article no.
Mounting kit	787215	Adapter kit	787338
		Mounting bracket	770294

Adapter kit for rotary actuators (Art. no. 787338)

Mounting bracket for rotary actuator (Art. no. 770294)



Actuator shaft height	A	B	C
[mm]	[mm]	[mm]	[mm]
20	46.5	80	-
30	56.5	80	130
50	76.5	-	130

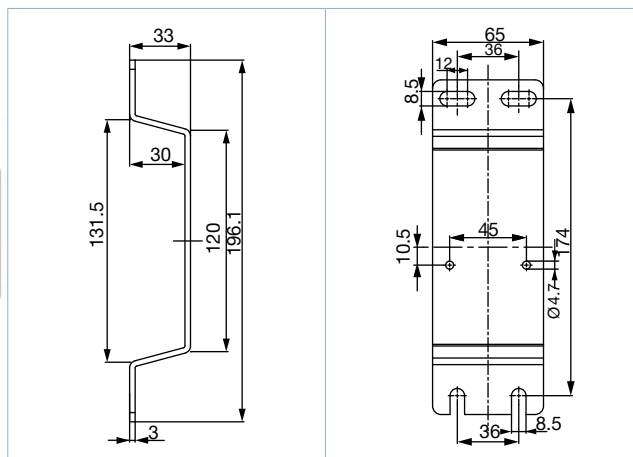
Remote version

Note:

- Dimensions in mm
- 2 mounting options

The remote version of the SideControl positioner is used to control process control valves in combination with a remote position sensor. The remote position sensor is mounted directly on the valve to detect the valve position. The remote positioner can be mounted on the wall or on a DIN rail in a control cabinet.

Wall mounting with assembly bracket

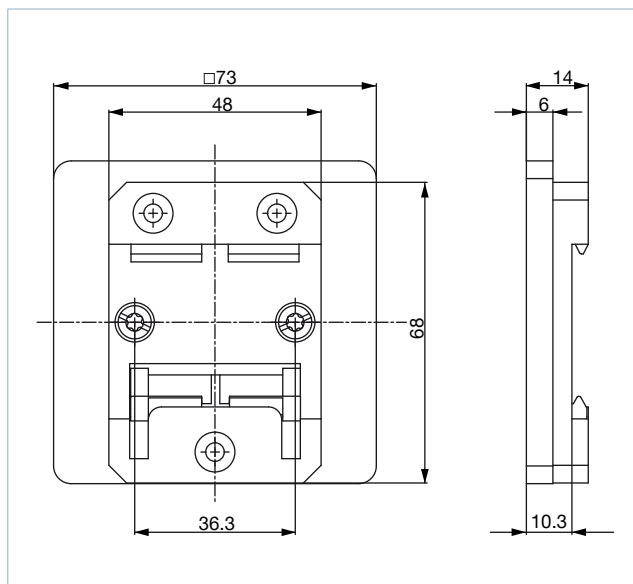
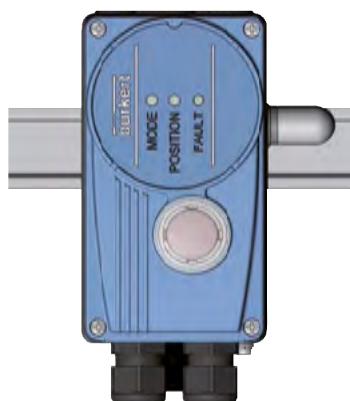


Description	Article no.
Bracket for wall mounting	675715

Mounting on DIN-rail

Note:

- Dimensions in mm
- The adapter can be turned by 90° on the DIN rail.



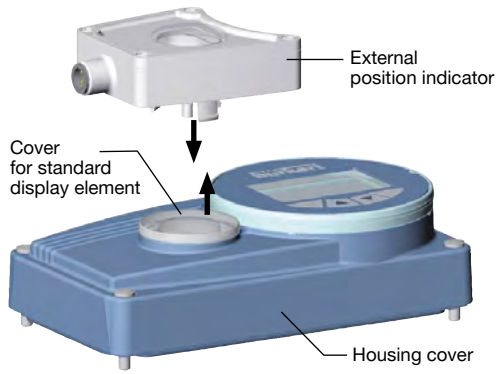
Description	Article no.
Holder for DIN rail mounting	675702

DTS 1000121137 EN Version: AE Status: RL (released | freigegeben | validé) printed: 20.04.2023

Position feedback with proximity switches

Note:

Upgrade feature for SideControl NAMUR





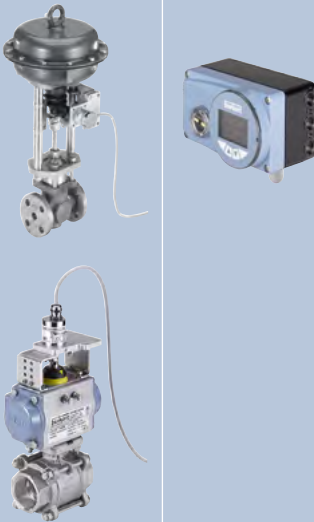

Connecting external position indicator

Description	Article no.
Position feedback	677218

5.2. Combination possibilities with pneumatic process valves

Note:

Detailed ordering information can be found in the chapter “6.3. Ordering chart” on page 24

Positioner SideControl 8792	8792 NAMUR		8792 Remote		8792 Remote	
						
	<p>Linear actuators IEC 60534 - 6 - 1</p> <p>Rotary actuators VDI/VDE 3845 (IEC 60534 - 6 - 2)</p>		<p>Linear actuators IEC 60534 - 6 - 1</p> <p>Rotary actuators VDI/VDE 3845 (IEC 60534 - 6 - 2)</p>		<p>Control valve system</p>	
	<p>Type 8805 ▶ Ball valve/Butterfly valve with pneumatic rotary actuator</p>		<p>Type 8798 ▶ Remote sensor for pneumatically actuated process valves</p>		<p>Type 2300 ▶ Pneumatically actuated 2-way angle seat control valve ELEMENT + Type 8798 ▶ Remote sensor for pneumatically actuated process valves</p>	

DTS 1000121137 EN Version: AE Status: RL (released | freigegeben | validé) printed: 20.04.2023

6. Ordering information

6.1. Bürkert eShop – Easy ordering and quick delivery



Bürkert eShop – Easy ordering and quick delivery

You want to find your desired Bürkert product or spare part quickly and order directly? Our online shop is available for you 24/7. Sign up and enjoy all the benefits.

[Order online now](#)

6.2. Bürkert product filter



Bürkert product filter – Get quickly to the right product

You want to select products comfortably based on your technical requirements? Use the Bürkert product filter and find suitable articles for your application quickly and easily.

[Try out our product filter](#)

6.3. Ordering chart

Positioner SideControl Type 8792 NAMUR version

Note:

- Mounting according to NAMUR IEC 60534-6-1 resp. VDI/VDE 3845 (IEC 60534-6-2)
- Further versions on request

Communication	Electrical connection	Analogue feedback	2 Binary output	Diagnos-tics ^{1,)}	cCSAus	ATEX II 3 GD/IECEx CCC ^{2,)}	Article no.
Single and double-acting with universal air capacity							
Without Fieldbus communication	Cable gland	–	–	–	Yes	–	317985
		–	Yes	Yes	Yes	–	317987
		Yes	Yes	Yes	Yes	–	317986
		Yes	Yes	Yes	–	Yes	318036
	Multipole	–	–	–	Yes	–	317988
		–	Yes	Yes	Yes	–	317990
Yes		Yes	Yes	Yes	–	317989	
PROFIBUS DP-V1	Multipole	Via Bus	–	–	Yes	–	206616
		Via Bus	–	–	–	Yes	310308
		Via Bus	Yes	Yes	–	Yes	310309
		Via Bus	Yes	Yes	Yes	–	206617
EtherNet/IP	Multipole	Via Bus	–	Yes	Yes	–	317932
		Via Bus	Yes	Yes	Yes	–	317933
		Via Bus	–	Yes	–	Yes	317938
		Via Bus	Yes	Yes	–	Yes	317939
PROFINET	Multipole	Via Bus	–	Yes	Yes	–	317942
		Via Bus	Yes	Yes	Yes	–	317943
		Via Bus	–	Yes	–	Yes	317948
		Via Bus	Yes	Yes	–	Yes	317949

Communication	Electrical connection	Analogue feedback	2 Binary output	Diagnostics ^{1.)}	cCSAus	ATEX II 3 GD/IECEX CCC ^{2.)}	Article no.
Modbus TCP	Multipole	Via Bus	–	Yes	Yes	–	317952
		Via Bus	Yes	Yes	Yes	–	317953
		Via Bus	–	Yes	–	Yes	317958
		Via Bus	Yes	Yes	–	Yes	317959
Bürkert system bus (büS)	Multipole	Via Bus	–	Yes	Yes	–	317962
		Via Bus	Yes	Yes	Yes	–	317963
		Via Bus	–	Yes	–	Yes	317968
		Via Bus	Yes	Yes	–	Yes	317969

1.) See “Additional software options of the positioner SideControl Type 8792 (extract)” on page 18

2.) CCC (China Compulsory Certificate) for device versions with Ex approval

Positioner SideControl Type 8792 remote version

Note:

Further versions on request




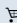
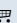
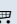
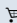


Communication	Electrical connection	Analogue feedback	2 Binary output	Diagnostics ^{1.)}	cCSAus	ATEX II 3 GD/IECEX CCC ^{2.)}	Article no.
Single-acting with low air capacity for actuator series Type 23xx (Ø70/90 mm)							
Without Fieldbus communication	Cable gland	Yes	Yes	Yes	Yes	–	318010
		–	Yes	Yes	Yes	–	318011
EtherNet/IP	Multipole	Via Bus	Yes	Yes	Yes	–	317936
PROFINET		Via Bus	Yes	Yes	Yes	–	317946
Modbus TCP		Via Bus	Yes	Yes	Yes	–	317956
Bürkert system bus (büS)		Via Bus	Yes	Yes	Yes	–	317966
Single and double-acting with universal air capacity for actuator series Type 23xx (Ø130 mm) and 27xx (Ø175/225 mm)							
Without Fieldbus communication	Cable gland	–	–	–	Yes	–	317991
		Yes	Yes	Yes	Yes	–	317992
		–	Yes	Yes	Yes	–	317993
		Yes	Yes	Yes	–	Yes	318038
EtherNet/IP	Multipole	Via Bus	Yes	Yes	Yes	–	317935
PROFINET		Via Bus	Yes	Yes	Yes	–	317945
Modbus TCP		Via Bus	Yes	Yes	Yes	–	317955
Bürkert system bus (büS)		Via Bus	Yes	Yes	Yes	–	317965

1.) See “Additional software options of the positioner SideControl Type 8792 (extract)” on page 18

2.) CCC (China Compulsory Certificate) for device versions with Ex approval

DTS 1000121137 EN Version: AE Status: RL (released | freigegeben | valide) printed: 20.04.2023

Remote position sensor for remote version of SideControl Type 8792

Product	Mounting version	Electrical connection	cULus	ATEX II 3 GD/IECEX CCC ^{1.)}	Article no.
Mounting on control valves					
	Control valve Type 23xx	Cable gland - 10 m round cable	Yes	-	00300730 
		Cable gland - 10 m round cable	-	Yes	20003944 
		Multipole - 10 m round cable	Yes	-	00307956 
	Control valve Type 27xx	Cable gland - 10 m round cable	Yes	-	211535 
		Cable gland - 10 m round cable	-	Yes	226859 
		Multipole - 10 m round cable	Yes	-	00329888 
NAMUR mounting					
	NAMUR (rotative)	Cable gland - 2 m round cable (extendable to 10 m max.)	Yes	-	211536 

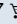



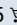
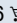
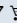
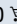
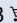
1.) CCC (China Compulsory Certificate) for device versions with Ex approval

6.4. Ordering chart Accessories

Standard accessories





Note:

The corresponding communication software can be downloaded from, see **Type 8792** ▶.

Description	Article no.
M12 socket, 8-pin with 5 m cable for power supply and input/output signals	919267 
M8 plug, 4-pin for binary outputs, with solder joints	917131 
USB bÜS interface Set (bÜS-Stick + connection cable with M12 plug + connection cable M12 on micro USB for the bÜS service interface) to connect with PC-Tool Bürkert Communicator (only for device versions with EtherNet/IP, PROFINET, Modbus TCP and Bürkert system bus (bÜS))	772551 
bÜS cable extension M12, length 1 m	772404 
bÜS cable extension M12, length 3 m	772405 
bÜS cable extension M12, length 5 m	772406 
bÜS cable extension M12, length 10 m	772407 
Silencer G ¼" (replacement part)	780780 
USB interface for serial communication (only for devices with PROFIBUS communication)	227093 
Software Bürkert Communicator	LINK ▶






Accessories SideControl NAMUR**Note:**

Detailed information can be found in chapter **"5. Product installation"** on page 20.

Description	Article no.
Mounting bracket VDI/VDE 3845 (IEC 60534 - 6 - 2) VA	770294 
Adapter kit VDI/VDE 3845 (IEC 60534 - 6 - 2) VA	787338 
Adapter kit for linear actuators IEC 60534 - 6 - 1 VA	787215 
Position feedback with proximity switches (optional upgrade feature) ^{1.)}	677218 

1.) External end position feedback for upgrading SideControl NAMUR

Accessories for SideControl Remote

Description	Article no.
Bracket for wall mounting, stainless steel, see "5. Product installation" on page 20	675715 
DIN rail assembly kit Aluminium/stainless steel, see "5. Product installation" on page 20	675702 
Adapter kit - remote sensor, control valves Type 23xx Actuator size Ø70/90/130 mm	679917 
Adapter kit - remote sensor, control valves Type 27xx Actuator size Ø175/225 mm	679945 
Sensor Puck (replacement part)	682240 

Bürkert – Close to You

For up-to-date addresses
please visit us at
www.burkert.com

DTS 1000121137 EN Version: AE Status: RL (released | freigegeben | validé) printed: 20.04.2023

Austria
Belgium
Czech Republic
Denmark
Finland
France
Germany
Italy
Netherlands

Norway
Poland
Spain
Sweden
Switzerland
Turkey
United Kingdom

