



Digital electropneumatic Positioner SideControl

- Compact and robust design
- Easy to start using Tune function
- Integrated diagnostic functions for valve monitoring
- Dynamic positioning system with no air consumption in controlled state
- AS-Interface, IO-Link or Bürkert system bus (bÜS)



Product variants described in the data sheet may differ from the product presentation and description.

Can be combined with

	<p>Control valve system Diaphragm linear actuator</p>
	<p>Control valve system Rotary actuator</p>
	<p>Control valve system Rotary actuator with remote positioner</p>
	<p>Control valve system Control valve with remote positioner</p>
	<p>Control valve system Hygienic process control valve with remote positioner</p>

Type description

The robust and compact positioner is designed to a standardisation acc. to IEC 65034-6-1 or VDI/VDE 3845 (IEC 60534-6-2) for assembly with linear and rotary actuators. In addition, the remote version with the displacement position sensor can be combined with Bürkert process control valves. The setpoint setting for the electro-pneumatic digital Positioner SideControl BASIC occurs using a standard signal 4...20 mA or by bus as an option. In addition there is a binary input and an optional analogue feedback available. The valve opening is signalled by a mechanical indicator element and the device status is shown on three coloured LEDs. All the operational elements are found in the housing. The start-up happens automatically, and directly at the device the following functions can be activated through DIP switches: – Close tight function – Inversion of the operating direction of the setpoint signal – Characteristic curves selection – Switching between manual and automatic mode. Additional possibilities on configuration and parameter setting, for example, linearisation of the operation characteristics by using communications software which allows customised programming. The pilot valve system can be used equally for single and double-acting drives. It is characterised by a defined safety feature in case of failure of the electrical or pneumatic power supply and possesses an enormous air capacity range with pressure supply up to 7 bar.

DTS 1000123308 EN Version: V Status: RL (released | freigegeben | validé) printed: 20.04.2023

Table of contents

1. General technical data	4
1.1. Positioner SideControl Type 8791	4
1.2. Without fieldbus communication	5
1.3. With fieldbus communication: AS-Interface	6
1.4. With digital communication: IO-Link.....	6
1.5. With digital communication: Bürkert system bus (büS).....	6
1.6. Linear remote position sensor (ELEMENT Type 8798).....	7
1.7. Rotative remote position sensor (NAMUR)	7
1.8. Position feedback with proximity switches (accessories for retrofitting)	8
2. Dimensions	9
2.1. NAMUR/Remote Version	9
2.2. Mounting specification of NAMUR/Remote Version.....	10
NAMUR version	10
Remote version	11
2.3. ATEX/IECEX version	11
2.4. Remote position sensor version	12
2.5. Mounting on control valve acc. to NAMUR	12
3. Device/Process connections	13
3.1. Electrical connections.....	13
Multipole connection.....	13
AS-Interface connection	14
Electrical connection Position feedback with proximity switches	15
Cable gland.....	15
IO-Link-Anschluss.....	17
Bürkert system bus (büS) connection.....	17
4. Performance specifications	19
4.1. Signal flow diagram.....	19
Position control loop	19
Additional software options of the positioner SideControl Type 8791 (extract).....	19
4.2. Interface diagram	20
Version without fieldbus communication	20
Version with fieldbus communication	20
5. Product installation	21
5.1. Mounting options.....	21
NAMUR version	21
Remote version	22
Position feedback with proximity switches.....	23
5.2. Combination possibilities with pneumatic process valves	24

6. Ordering information	25
6.1. Bürkert eShop – Easy ordering and quick delivery	25
6.2. Bürkert product filter	25
6.3. Ordering chart	25
Positioner SideControl Type 8791 NAMUR version	25
Positioner SideControl BASIC Type 8791 Remote-Version	26
Remote position sensor for remote version of SideControl Type 8793	26
6.4. Ordering chart Accessories	27
Standard Accessories	27
Accessories SideControl NAMUR	27
Accessories SideControl Remote	27

DTS 1000123308 EN Version: V Status: RL (released | freigegeben | validé) printed: 20.04.2023

1. General technical data

1.1. Positioner SideControl Type 8791

Product properties	
Dimensions	Detailed information can be found in chapter "2. Dimensions" on page 9.
Material	
Body	Aluminium plastic-coated
Seal	EPDM, NBR, FKM
Operation	
Operating keys	2 keys
DIP switch	Integrated
Service interface	Connected to PC via USB connection
Configuration tool	Bürkert Communicator PACTware (only for device versions with AS-Interface)
Commissioning	
Initialization positioner	Automatic by X.TUNE function (automatic adjustment of the positioner)
Status display	
Optical position indicator (mechanical)	Integrated (for NAMUR version)
Communication	
Fieldbus	AS-Interface
Digital	IO-Link, Bürkert system bus (bÜS) - based on CANopen
Performance data	
Position sensor	
Integrated position sensor (NAMUR)	Conductive plastic rotary potentiometer
External remote position sensor	Linear or rotative
Measuring range for rotary actuator	Rotation angle 30°...180°
Stroke range for linear actuator	
Valve spindle	3...130 mm, depending on the lever of the attachment kit
Electrical data	
Operating voltage	24 V DC ±25 %
Residual ripple	Max. 10 %
Protection class	III acc. to DIN EN 61140
Power consumption	≤3.5 W
Electrical connection	
Multipole version	Screw terminals: M12, 4-pin resp. 8-pin acc. to device version (see connection description)
Cable gland version	2x M20 × 1.5 (cable-Ø6...12 mm) on screw terminals (0.14...1.5 mm ²)
Remote version	1x M12 × 1.5 (cable-Ø3...6.5 mm)
Pneumatic data	
Control medium	
	Neutral gases, air, quality class acc. to ISO 8573-1
Dust content	Class 7 (<40 µm particle size)
Particle density	Class 5 (<10 mg/m ³)
Pressure dew point	Class 3 (<-20 °C)
Oil content	Class X (<25 mg/m ³)

Air intake filter	Exchangeable
Mesh size	~0.1 mm
Supply pressure	1.4...7 bar ^{1.)2.)}
Pilot air port	Threaded port G ¼
Positioning system	
Universal air capacity	
Single and double acting	50 l _N /min (at 1.4 bar ^{2.)}) for aeration and ventilation 150 l _N /min (at 6 bar ^{2.)}) for aeration and ventilation Q _{Nn} = 100 l _N /min
Low air capacity	
Single-acting	Q _{Nn} = 7 l _N /min (Q _{Nn} acc. to definition at pressure drop from 7 to 6 bar absolute)
Approvals and Certificates	
Conformity	EMC directive 2014/30/EU
UL	CAN/CSA-C22 2 no. 139 UL 429
CSA	Class 3221 82-VALVES - actuator - Cert. acc. to US Standards Class 3221 02-VALVES - actuator
ATEX	II 3G Ex ec ic IIC T4 Gc II 3D Ex tc IIIC T135 °C Dc Certificate: BVS 16 ATEX E 118 X
IECEX	Ex ec ic IIC T4 Gc Ex tc IIIC T135 °C Dc Certificate: IECEX BVS 16.0091 X
CCC (China Compulsory Certificate)	For devices with Ex approval
Environment and installation	
Operating conditions	
Ambient temperature	
With ATEX/IECEX approval	0...+60 °C
Without Ex approval	-10...+60 °C
Degree of protection	IP65/IP67 acc. to EN 60529, 4X acc. to NEMA 250 standard
Operating altitude	Up to 2000 m above sea level
Installation and mechanical data	
Mounting variant	NAMUR acc. to IEC 60534 - 6 - 1 resp. VDI/VDE 3845 (IEC 60534 - 6 - 2), remote
Installation position	As required, display above or sideways
Valve actuator (type, size)	Rotary and linear actuators acc. to NAMUR, ELEMENT Type 2301, 2300 (Actuator size Ø70/90/130 mm) and CLASSIC (Actuator size Ø175/225 mm) in combination with remote version
Adapter kit	Detailed information can be found in chapter "6.4. Ordering chart Accessories" on page 27 .

1.) The supply pressure has to be 0.5...1 bar above the minimum required pilot pressure for the valve actuator.

2.) Pressure data: Overpressure to atmospheric pressure

1.2. Without fieldbus communication

Electrical data	
Operating voltage	24 V DC ± 25 %
Residual ripple	Max. 10 %
Protection class	III acc. to DIN EN 61140
Input/Output	
Digital input	1 digital input, 0...5 V = log "0", 10...30 V = log "1"
Analogue output	1 output (optional) 0/4...20 mA
Input data setpoint	
Setpoint signal	
Set-point value setting default	4...20 mA (0...20 mA adjustable via configuration software)
Input resistance	0/4...20 mA: 75 Ω

1.3. With fieldbus communication: AS-Interface

Product properties	
Profile	S-7.3.4 output: 16 bit setpoint/certificate no. 87301 acc. to version 3.0 S-7.A.5 output: 16 bit setpoint; input: 16 bit Feedback/certificate no. 95401 acc. to version 3.0
Electrical data	
Operating voltage	29.5...31.6 V DC
Via bus cable	Acc. to specification
Max. current consumption	150 mA (without external power supply)
Electrical connection	M12, 4-pin stainless steel plug assembled up to 80 cm cable
Watchdog function	Integrated

1.4. With digital communication: IO-Link

Electrical data	
Electrical connection	M12 × 1, 5-pin, A-coded
IO-Link Revision	1.1
SIO-Mode	No
VendorID	0x0078, 120
DeviceID	The IO-Link file can be downloaded from our website ▶. See Software > Device Description Files.
Transmission rate	230.4 kbit/s (COM 3)
Data storage	Yes
Max. cable length	20 m
Port Class A	
Operating voltage	24 V DC ± 25 % (according to specification)
Current consumption	max. 150 mA
Port Class B	
Operating voltage	
System supply (Pin 1 + 3)	24 V DC ± 25 % (according to specification)
Actuator supply (Pin 2 + 5)	24 V DC ± 25 % (according to specification)
Current consumption	
System supply (Pin 1 + 3)	max. 50 mA
Actuator supply (Pin 2 + 5)	max. 120 mA

1.5. With digital communication: Bürkert system bus (bÜS)

Electrical data	
Operating voltage	24 V DC ± 25 % (acc. to specification)
Electrical connection	M12 × 1, 5-pin, A-coded
Current consumption	Max. 150 mA

1.6. Linear remote position sensor (ELEMENT Type 8798)

Note:

When mounting the remote positioner away from the actuator, the length of the pneumatic control lines influences the dynamics and accuracy of the position control loop. The length of the control air lines should therefore be as short as possible.

Product properties	
Actual position signal	Digital (RS485)
Detection range of the sensor	3...45 mm (Stroke range Valve spindle)
Electrical data	
Operating voltage	24 V DC \pm 25 %, UL: NEC Class 2
Protection class	III acc. to DIN EN 61140
Power consumption	< 0.3 W
Electrical connection	
Cable gland (cable length)	1x M16x1.5 (cable- \varnothing 5...10 mm) on screw terminals (0.14...1.5 mm ²)
Connection cable	10 m
Approvals and Certificates	
Degree of protection	IP65 and IP67 acc. to EN 60529, 4X acc. to NEMA 250 standard
Ignition protection	II 3G Ex ec IIC T4 Gc II 3D Ex tc IIIC T135 °C Dc
Conformity	EMC directive 2014/30/EU
Approval	cULus certificate no. 238179
CCC (China Compulsory Certificate)	For devices with Ex approval
Environment and installation	
Ambient temperature	-25...+ 80 °C

1.7. Rotative remote position sensor (NAMUR)

Note:

When mounting the remote positioner away from the actuator, the length of the pneumatic control lines influences the dynamics and accuracy of the position control loop. The length of the control air lines should therefore be as short as possible.

Product properties	
Stroke range when mounted to linear actuator	3...130 mm, depending on the lever of the attachment kit
Actual position signal	Digital (RS485)
Measuring range	Rotation angle 30°...180°
Electrical data	
Operating voltage	10...30 V DC
Protection class	III acc. to DIN EN 61140
Power consumption	< 0.8 W
Electrical connection	2 m round cable (shielded)
Approvals and Certificates	
Degree of protection	IP65 acc. to EN 60529
Conformity	EMC directive 2014/30/EU
Approval	UL (cULus) certificate no. E226909
Environment and installation	
Ambient temperature	-25...+ 80 °C

1.8. Position feedback with proximity switches (accessories for retrofitting)

Note:

The position feedback has two proximity switches which are independently adjustable via switch lugs.

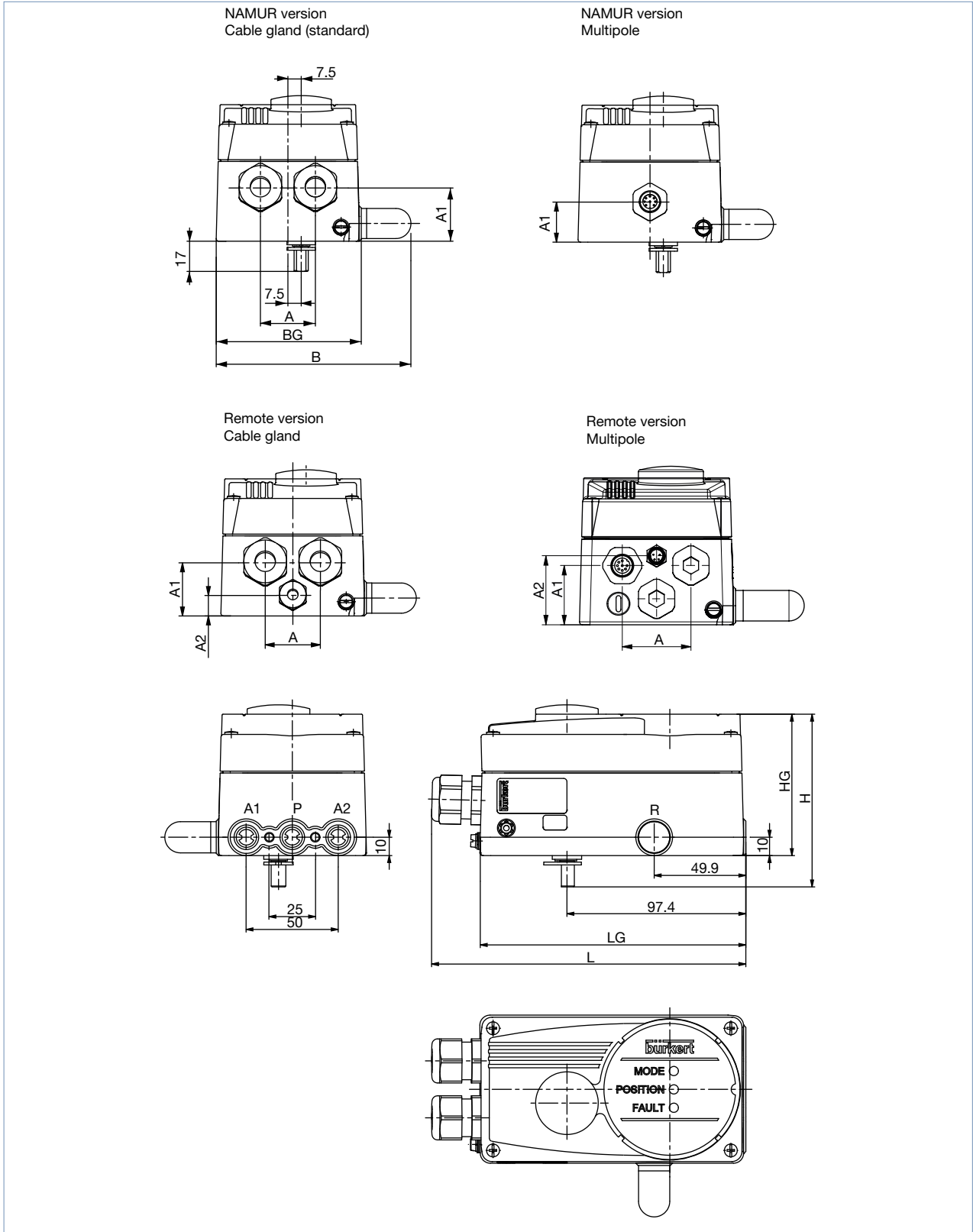
Product properties	
Output function	3-wire, normally open contact, PNP
Electrical data	
Electrical connection	M12, 4-pin
Operating voltage	10...30 V DC
Protection class	III acc. to DIN EN 61140
DC rated current	≤ 100 mA
Residual ripple	≤ 10 % U _{ss}
Approvals and Certificates	
Degree of protection	IP65 and IP67
Conformity	EMC directive 2014/30/EU

2. Dimensions

2.1. NAMUR/Remote Version

Note:

Dimensions in mm



DTS 1000123308 EN Version: V Status: RL (released | freigegeben | valide) printed: 20.04.2023

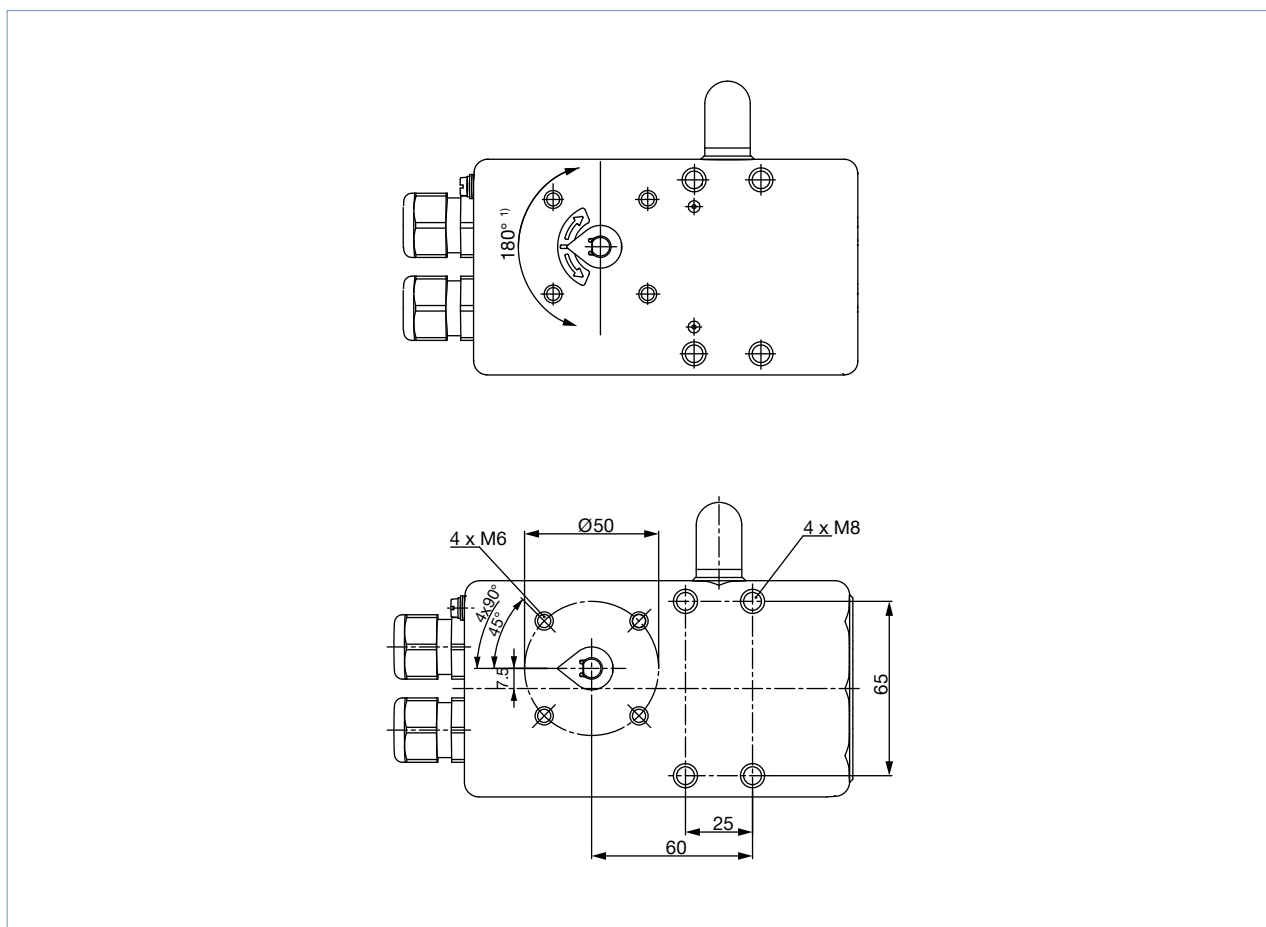
Description	LG	L	BG	B	HG	H	A	A1	A2
NAMUR cable gland	144.6	171.1	81.8	109.8	77	94.1	31	30	-
NAMUR Multipole	144.6	171.1	81.8	109.8	77	94.1	-	22.5	-
Remote cable gland	144.6	171.1	81.8	109.8	77	94.1	31	30	11.5
Remote Multipole	144.6	171.1	81.8	109.8	67	-	36	31	35.9

2.2. Mounting specification of NAMUR/Remote Version

Note:

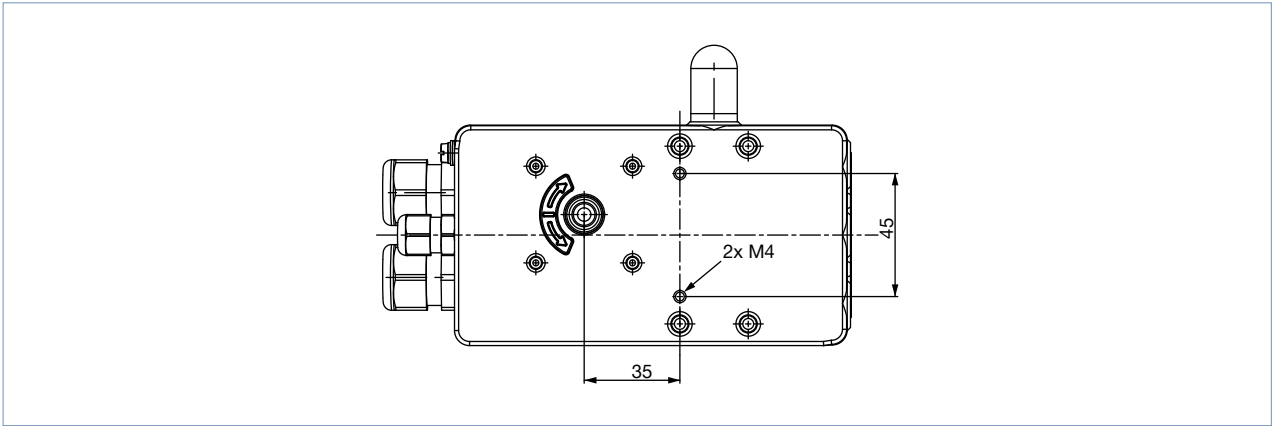
- The rotation angle of the sensor must be within a range of 180°¹⁾.
- With the valve open approx. 50 %, the sensor indicator should be in this position.
- Dimensions in mm

NAMUR version



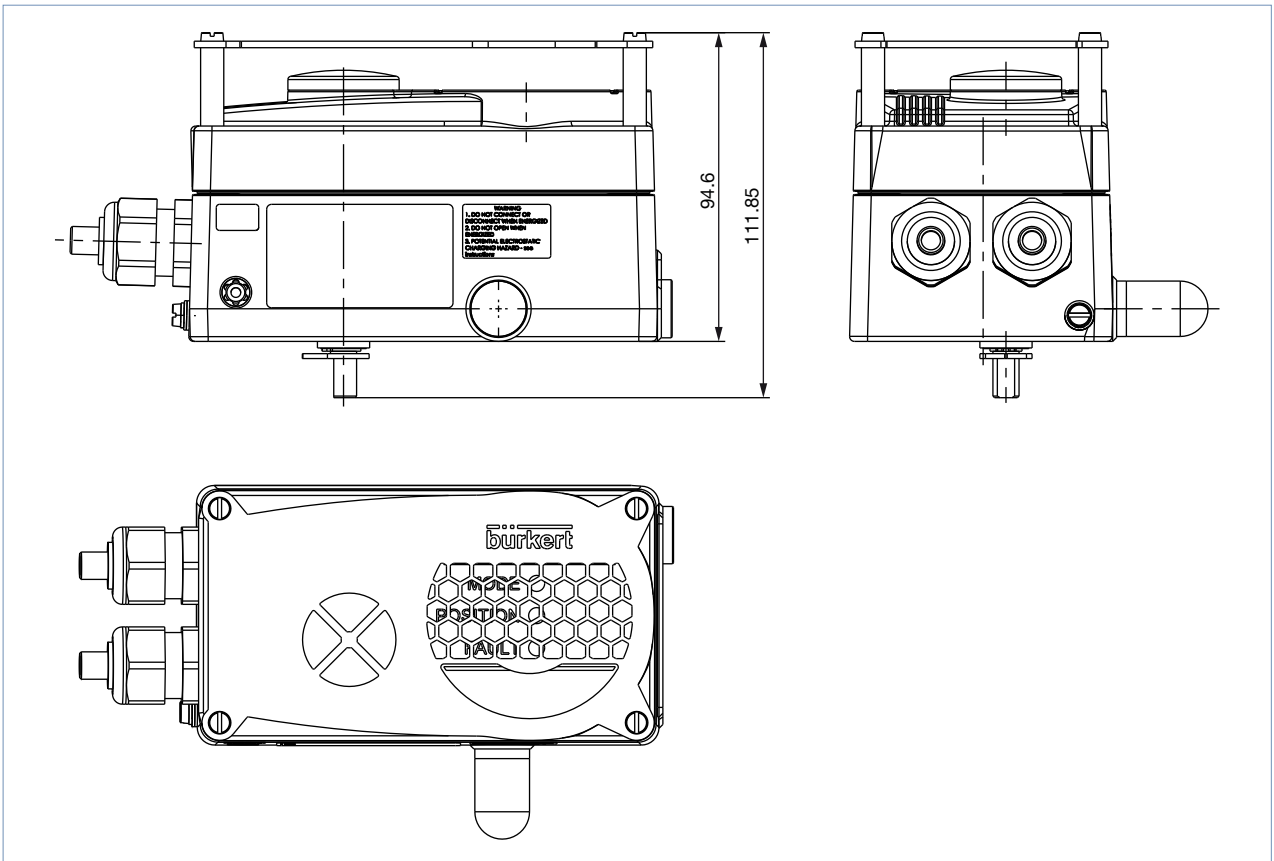
1.) For the EtherNet/IP, PROFINET, Modbus TCP and bÜS versions a max. of 180° is possible. For the other versions max. 150°.

Remote version



2.3. ATEX/IECEx version

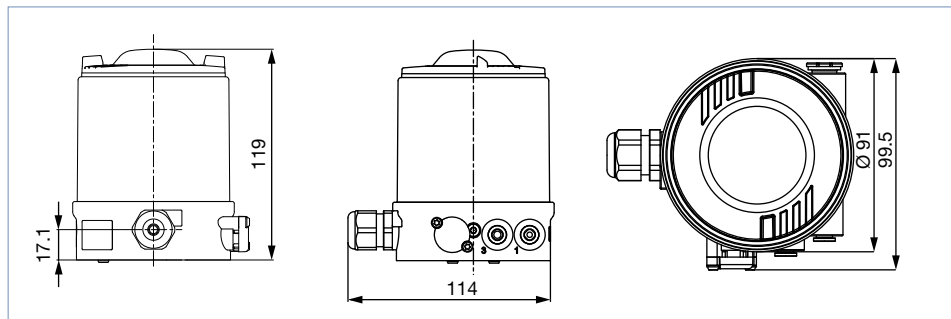
Note:
Dimensions in mm



2.4. Remote position sensor version

Note:
Dimensions in mm

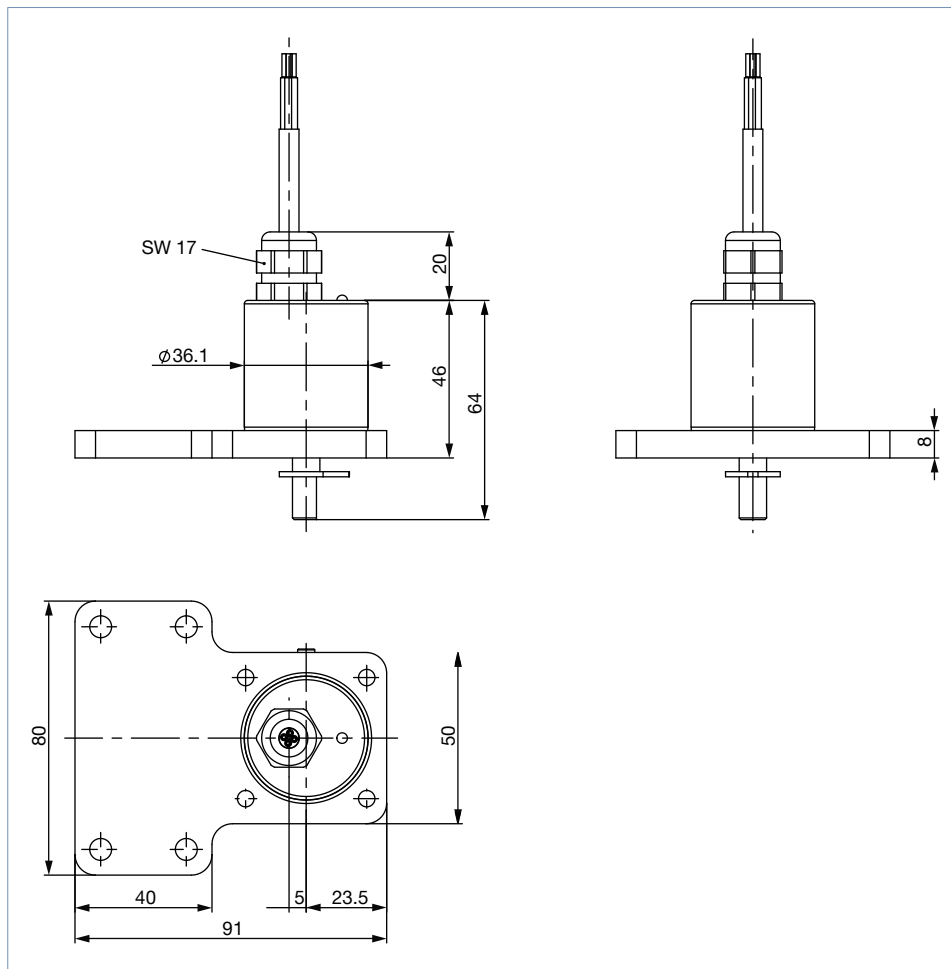
Linear position sensor, Type 8798, for valve position detection of Bürkert ELEMENT and hygienic process valves for the remote SideControl positioner .



2.5. Mounting on control valve acc. to NAMUR

Note:
Dimensions in mm

Rotative position sensor to detect rotary motion of rotary actuators acc. to NAMUR/IEC 60534-6-1 and VDI/VDE 3845 (IEC 60534-6-2) for the remote SideControl positioner.

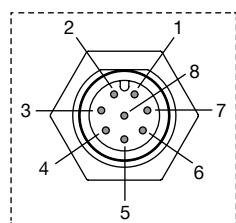


3. Device/Process connections

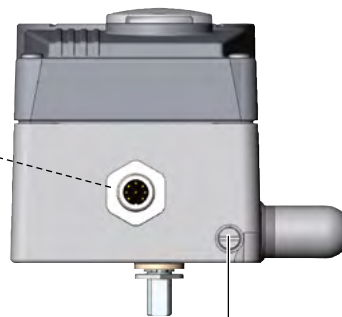
3.1. Electrical connections

Multipole connection

Operating voltage and diverse signals



M12 circular plug, 8-pin



Earthing function

M12 circular plug, 8-pin (input signals of the control centre)

Pin	Wire colour ¹⁾	Pin assignment	Outer circuitry/Signal level
1	White	Setpoint + (0/4...20 mA)	1 + (0/4...20 mA)
2	Brown	Setpoint GND	2 GND (see connection table for 3-wire or 4-wire below)
5	Grey	Digital input	5 + 0...5 V (log. 0)
			10...30 V (log. 1)
Relative to pin 3 (GND)			

Connection type 3-wire or 4-wire (setting via communication software)

Connection type 4-wire (factory setting)	Connection type 3-wire
<p>The set-point value input is designed as a differential input, i.e. the GND lines of the set-point value input and the supply voltage are not identical.</p> <p>Note: if the GND signals of the set-point value input and the supply voltage are connected, the 3-conductor connection type must be set in the software."</p>	<p>The set-point value input is related to the GND line of the supply voltage, i.e. setpoint input and supply voltage have a common GND line.</p>

M12 circular plug, 8-pin (output signals to the control centre, only for analogue output variant)

Option analogue feedback			
8	Red	Analogue feedback +	8 + (0/4...20 mA)
7	Blue	Analogue feedback GND	7 GND (identical to GND operating voltage)

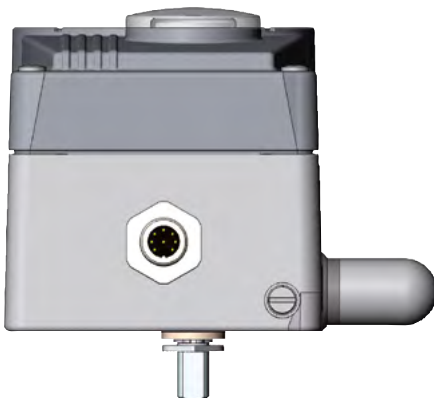
DTS 1000123308 EN Version: V Status: RL (released | freigegeben | valide) printed: 20.04.2023

Pin assignment for operating voltage

Pin	Wire colour ^{1.)}	Pin assignment	Outer circuitry/Signal level	
3	Green	GND	3	24 V DC ±25 % Max. residual ripple 10 %
4	Yellow	+24 V	4	

1.) The wire colours indicated refer to the connection cable available as an accessory with the Article no. 919061

AS-Interface connection



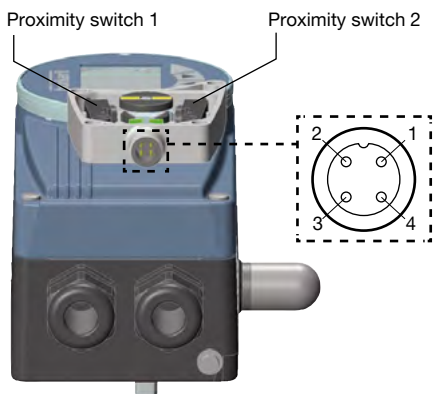
M12 circular plug, 4-pin, without external power supply			
	Pin	Description	Pin assignment
	1	Bus +	Bus cable AS-Interface +
	2	NC	Not assigned
	3	Bus -	Bus cable AS-Interface -
	4	NC	Not assigned

M12 circular plug, 4-pin, with external power supply (on request)			
	Pin	Description	Pin assignment
	1	Bus +	Bus cable AS-Interface +
	2	GND	External power supply
	3	Bus -	Bus cable AS-Interface -
	4	24 V +	External power supply

DTS 1000123308 EN Version: V Status: RL (released | freigegeben | validé) printed: 20.04.2023

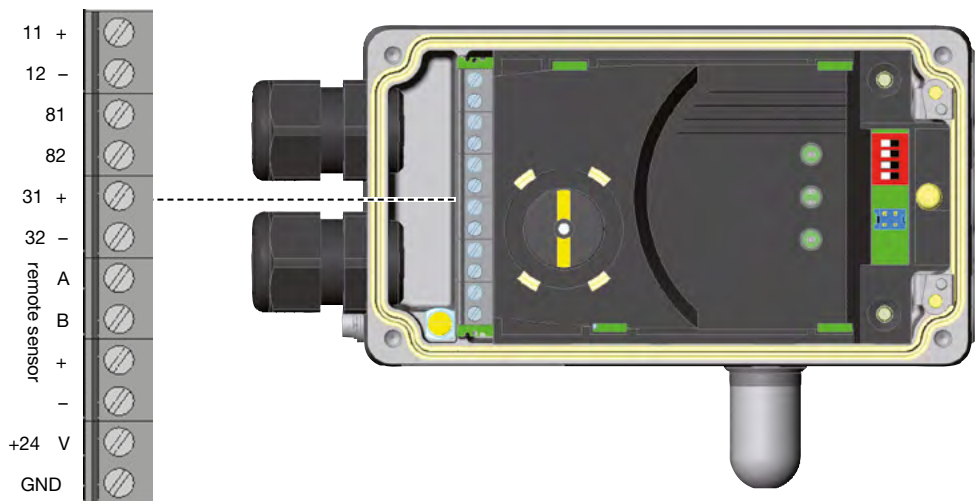
Electrical connection Position feedback with proximity switches

Note:
Accessories for upgrading



No.	Pin assignment	Outer circuitry/Signal level
1	Supply 10...30 V	+ 10...30 V 10...30 V
2	Switching output (NO) proximity switches 1	+ 10...30 V open/10...30 V
3	GND	GND GND
4	Switching output (NO) proximity switches 2	+ 10...30 V open/10...30 V

Cable gland



Terminal	Pin assignment	Outer circuitry/Signal level
11 +	Setpoint +	11 + + (0/4...20 mA)
12 -	Setpoint GND	12 - GND (see connection table for 3-wire or 4-wire below)
81 +	Digital input +	81 + + 0...5 V (log. 0) 10...30 V (log. 1)
82 -	Digital input -	82 - GND (identical to GND operating voltage)

DTS 1000123308 EN Version: V Status: RL (released | freigegeben | valide) printed: 20.04.2023

Connection type 3-wire or 4-wire (setting via communication software)

Connection type 4-wire (factory setting)	Connection type 3-wire
<p>The set-point value input is designed as a differential input, i.e. the GND lines of the set-point value input and the supply voltage are not identical.</p> <p>Note: If the GND signals of the set-point value input and the supply voltage are connected, the 3-wire connection type must be set in the software.</p>	<p>The set-point value input is related to the GND line of the supply voltage, i.e. setpoint input and supply voltage have a common GND line</p>

Option analogue feedback

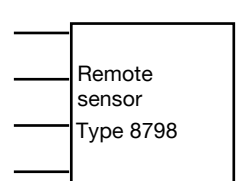
Terminal	Pin assignment	Outer circuitry/Signal level
31 +	Analogue feedback +	31 + + (0/4...20 mA)
32 -	Analogue feedback GND	32 - GND (identical to GND operating voltage)

Terminal assignment for operating voltage

Terminal	Pin assignment	Outer circuitry/Signal level
+24 V	Operating voltage +	+24 V 24 V DC ± 25 %
GND	Operating voltage GND	GND Max. residual ripple 10 %

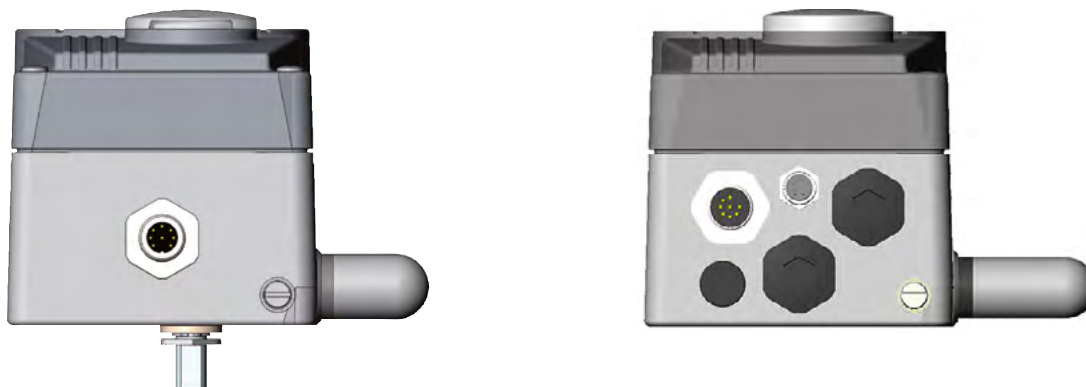
Remote version option in conjunction with remote position sensor Type 8798

Terminal	Pin assignment	Outer circuitry/Signal level	
Position sensor Remote	S +	Sensor supply +	S + +
	S -	Sensor supply -	S - -
	A	Serial interface, A-line	A A-line
	B	Serial interface, B-line	B B-line



DTS 1000123308 EN Version: V Status: RL (released | freigegeben | valide) printed: 20.04.2023

IO-Link-Anschluss



M12 circular plug, 5-pin, Port Class A		Pin	Description	Pin assignment	
	1	L +	24 V DC	System supply	
	2	I/Q	NC	Not connected	
	3	L -	0 V (GND)	System supply	
	4	C/Q	IO-Link	Communication	
	5	NC	NC	Not connected	

M12 circular plug, 5-pin, Port Class B		Pin	Description	Pin assignment	
	1	L +	24 V DC	System supply	
	2	P24	24 V DC	Actuator supply	
	3	L -	0 V (GND)	System supply	
	4	C/Q	IO-Link	Communication	
	5	N24	0 V (GND)	Actuator supply	

Connection of digital remote position sensor Type 8798 - M8 socket, 4-pin (optional)

Circular plug	Pin	Pin assignment	Outer circuitry/Signal level			
	1	Sensor supply +	S +	+		
	2	Sensor supply -	S -	-		
	3	Serial interface, A-line	A	A-line		
	4	Serial interface, B-line	B	B-line		

Bürkert system bus (büS) connection

M12 circular plug, 5-pin		Pin	Description	Cable colour
	1	CAN Shield/Shielding	CAN Shield/Shielding	
	2	+24 V DC ±25 %, max. residual ripple 10 %	Red	
	3	GND/CAN_GND	Black	
	4	CAN_H	White	
	5	CAN_L	Blue	

DTS 1000123308 EN Version: V Status: RL (released | freigegeben | validé) printed: 20.04.2023

Connection of digital remote position sensor Type 8798 - M8 socket, 4-pin (optional)

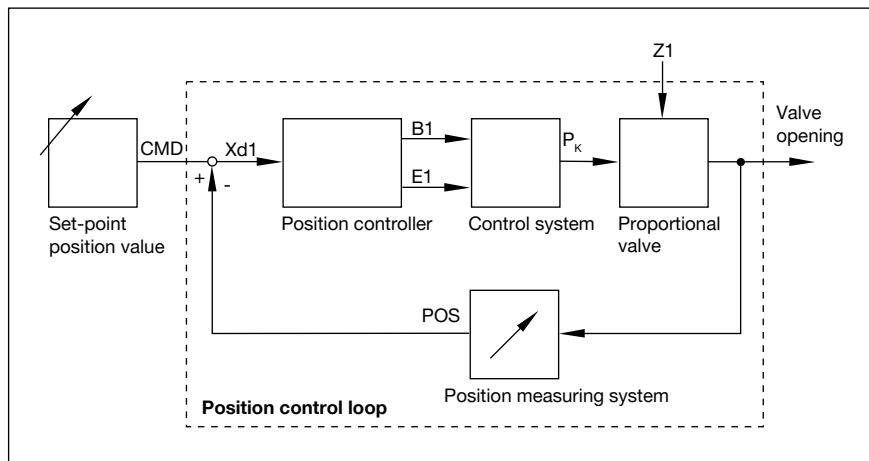
Circular plug	Pin	Pin assignment	Outer circuitry/Signal level			
	1	Sensor supply +	S +		+	
	2	Sensor supply -	S -		-	
	3	Serial interface, A-line	A		A-line	
	4	Serial interface, B-line	B		B-line	

Positioner terminal	Wire colour Remote sensor with cable type 1	Wire colour Remote sensor with cable type 2
S +	Brown	Brown
S -	White	Black
A	Green	Red
B	Yellow	Orange

4. Performance specifications

4.1. Signal flow diagram

Position control loop



Additional software options of the positioner SideControl Type 8791 (extract)

SideControl BASIC functions

- Automatic commissioning of the control system
- Digital input (safety position)
- Analogue position feedback (optional)

DIP-Switch activated device

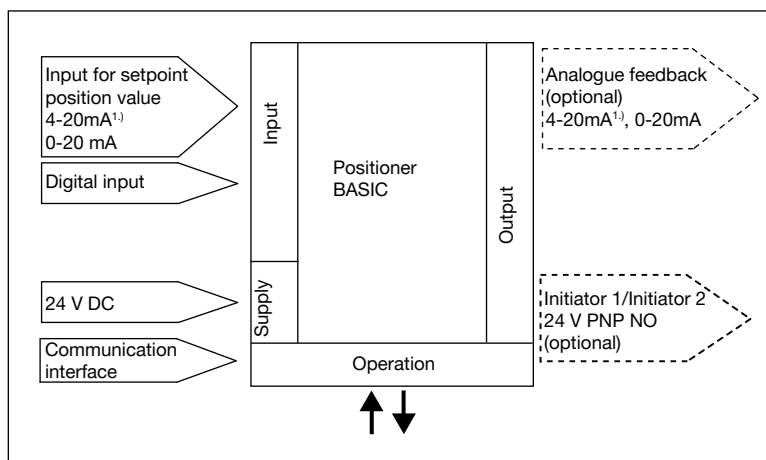
- Close tight function
- Inversion of the operating direction of the setpoint signal
- Linear characteristic curves selection or customised programming (software interface)
- Manual and automatic operation

Communications software with activatable and parameter driven functions

- Customised programming transmission characteristics
- Choices of setpoint signal
- Range splitting setpoint signal
- Limitation of valve stroke
- Limitation of operation speed
- Definition of the safety position
- Signal failure detection

4.2. Interface diagram

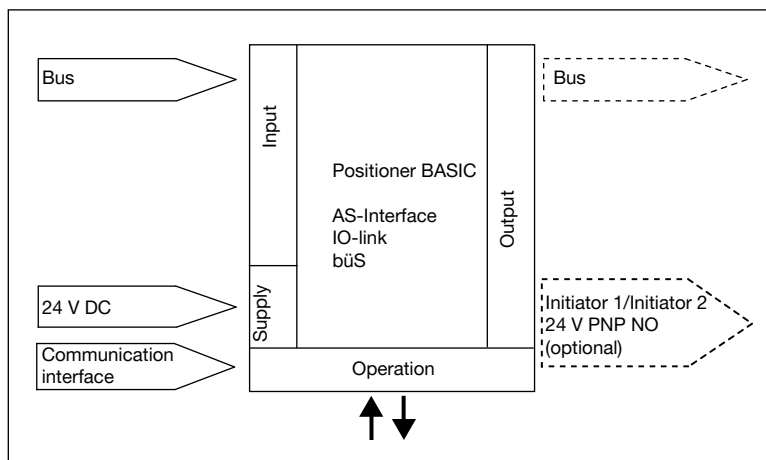
Version without fieldbus communication



1.) Default setting

Version with fieldbus communication

AS-Interface, IO-Link and Bürkert system bus (büS)



5. Product installation

5.1. Mounting options

NAMUR version

Note:

Positioner with integrated position sensor, mounting acc. to NAMUR/IEC 60534-6-1 and VDI/VDE 3845 (IEC 60534-6-2)

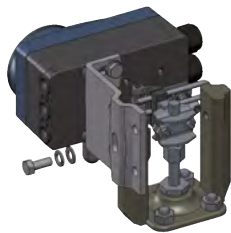
The NAMUR version of the SideControl positioner is equipped with an integrated position sensor (linear or rotary). It has a standardized interface for direct attachment to linear actuators acc. to NAMUR/IEC 60534-6-1 and VDI/VDE 3845 (IEC 60534-6-2).

Linear actuators

See [operating manual](#) ▶

Rotary actuators

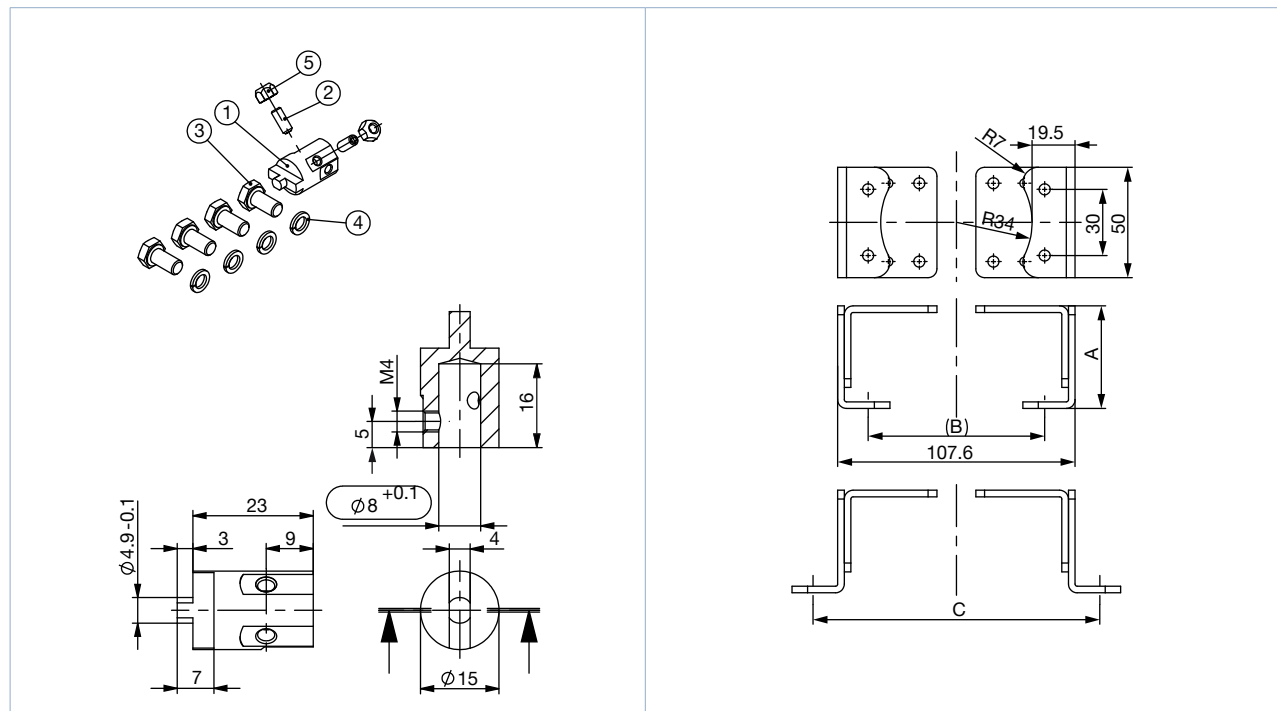
See [operating manual](#) ▶



Description	Article no.	Description	Article no.
Mounting kit	787215	Adapter kit	787338
		Mounting bracket	770294

Adapter kit for rotary actuators (Art. no. 787338)

Mounting bracket for rotary actuator (Art. no. 770294)



Actuator shaft height [mm]	A [mm]	B [mm]	C [mm]
20	46.5	80	-
30	56.5	80	130
50	76.5	-	130

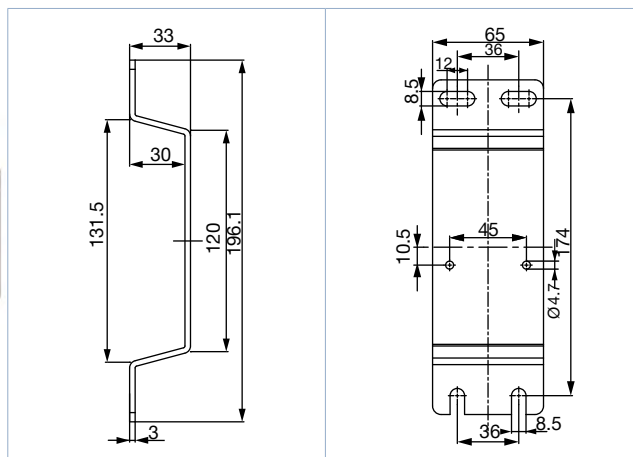
Remote version

Note:

- Dimensions in mm
- 2 mounting options

The remote version of the SideControl positioner is used to control process control valves in combination with a remote position sensor. The remote position sensor is mounted directly on the valve to detect the valve position. The remote positioner can be mounted on the wall or on a DIN rail in a control cabinet.

Wall mounting with assembly bracket

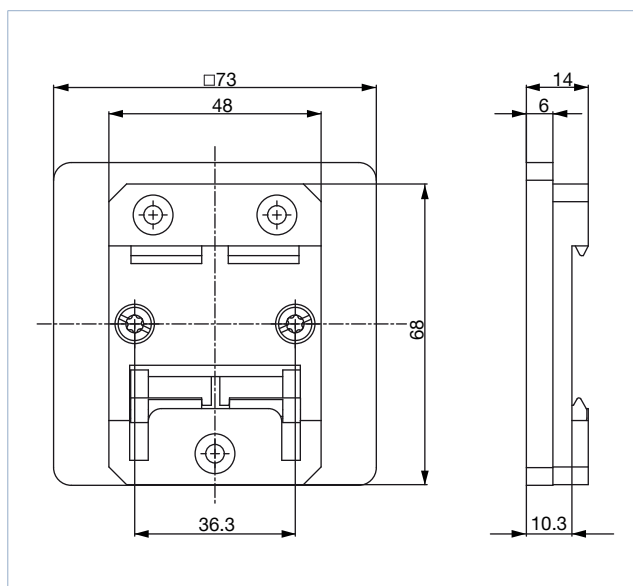
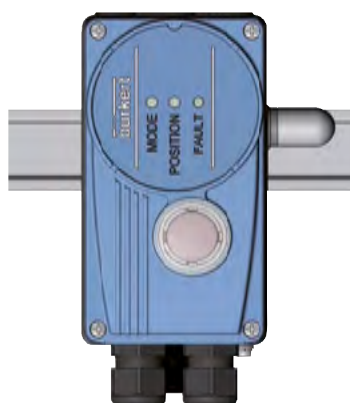


Description	Article no.
Bracket for wall mounting	675715

Mounting on DIN-rail

Note:

- Dimensions in mm
- The adapter can be turned by 90° on the DIN rail.



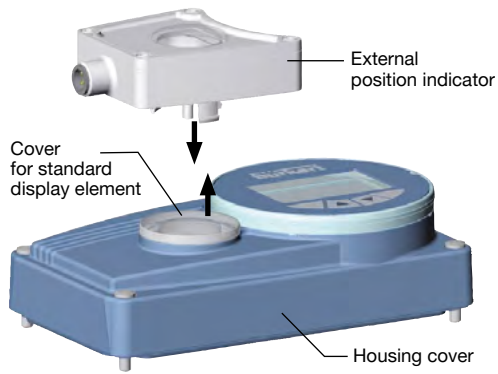
Description	Article no.
Holder for DIN rail mounting	675702

DTS 1000123308 EN Version: V Status: RL (released | freigegeben | validé) printed: 20.04.2023


Position feedback with proximity switches

Note:

Upgrade feature for SideControl NAMUR





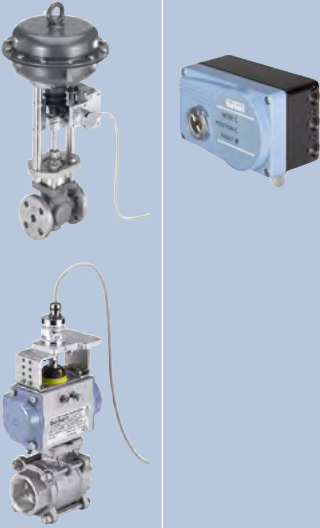


Connecting external position indicator

Description	Article no.
Position feedback	677218 

5.2. Combination possibilities with pneumatic process valves

Note:


Detailed ordering information can be found in the chapter “6. Ordering information” on page 25.

Positioner SideControl 8791 BASIC	8791 NAMUR		8791 Remote		8791 Remote	
						
Remote IP20^{1.)} 	Linear actuators IEC 60534 - 6 - 1 Rotary actuators VDI/VDE 3845 (IEC 60534 - 6 - 2)		Linear actuators IEC 60534 - 6 - 1 Rotary actuators VDI/VDE 3845 (IEC 60534 - 6 - 2)		Control valve system	
	Type 8805 ▶ Ball valve/Butterfly valve with pneumatic rotary actuator		Type 8798 ▶ Remote sensor for pneumatical- ly actuated process valves		Type 2300 ▶ Pneumatically actuated 2-way angle seat control valve ELEMENT + Type 8798 ▶ Remote sensor for pneumatically actuated process valves	

1.) Remote IP20 version for cabinet mounting

6. Ordering information

6.1. Bürkert eShop – Easy ordering and quick delivery




Bürkert eShop – Easy ordering and quick delivery

You want to find your desired Bürkert product or spare part quickly and order directly? Our online shop is available for you 24/7. Sign up and enjoy all the benefits.

[Order online now](#)

6.2. Bürkert product filter



Bürkert product filter – Get quickly to the right product

You want to select products comfortably based on your technical requirements? Use the Bürkert product filter and find suitable articles for your application quickly and easily.

[Try out our product filter](#)

6.3. Ordering chart

Positioner SideControl Type 8791 NAMUR version

Note:

Mounting according to NAMUR IEC 60534 - 6 - 1 resp. VDI/VDE 3845 (IEC 60534 - 6 - 2)

Control function	Pilot valve system/ Air capacity	Communication	Electrical connection	Feedback	Digital input	ATEX II 3GD/IECEX, CCC ^{1.)}	Article no.	
Single and double-acting	Universal	Without	Cable gland	–	Yes	–	323214	
				Analogue	Yes	–	323217	
				–	Yes	Yes	391979	
				Analogue	Yes	Yes	391981	
			Multipole	–	Yes	–	323213	
				Analogue	Yes	–	323216	
		AS-Interface	Digital	–	–	239617		
			Digital	–	Yes	310305		
			IO-Link port Class A	Multipole	Digital	–	–	20032774
				Multipole	Digital	–	Yes	20032777
IO-Link port Class B	Multipole	Digital	–	–	323207			
		Digital	–	Yes	20023480			
Bürkert system bus (bÜS)	Multipole	Digital	–	–	323210			



1.) CCC (China Compulsory Certificate) for device versions with Ex approval

Positioner SideControl BASIC Type 8791 Remote-Version

Assembly variations	Actuator size ELEMENT	Control function	Pilot valve system/ Air capacity	Communication	Electrical connection	Feed-back	Digital input	ATEX II 3GD/IECEX CCC ^{1.)}	Article no.		
Remote	Ø70/90 mm	Single-acting	Low	Without	Cable gland	–	Yes	–	323220		
						Analogue	Yes	–	323225		
		Single and double-acting	Universal			–	Yes	–	323219		
						Analogue	Yes	–	323224		
	Ø70/90 mm	Single-acting	Low	IO-Link port Class A	Multipole	Digital	–	–	20032776		
						Digital	–	Yes	On request		
		Single and double-acting	Universal			Digital	–	–	20032775		
						Digital	–	Yes	20032477		
		Single-acting	Low			IO-Link port Class B	Digital	–	–	323208	
							Digital	–	Yes	On request	
		Single and double-acting	Universal				Digital	–	–	323209	
							Digital	–	Yes	On request	
		Single-acting	Low				Bürkert system bus (bÜS)	Digital	–	–	323212
								Digital	–	–	323211
Single and double-acting	Universal	Digital	–	–	323212						
		Digital	–	–	323211						
Ø130 mm	Single and double-acting	Universal	Digital	–	Yes			On request			
			Digital	–	Yes			On request			
Remote IP20	Ø70/90 mm	Single-acting	Low	Without	Cable gland	–	Yes	–	On request		
						Analogue	Yes	–	On request		
	Ø130 mm	Single and double-acting	Universal			–	Yes	–	On request		
						Analogue	Yes	–	On request		

1.) CCC (China Compulsory Certificate) for device versions with Ex approval

Remote position sensor for remote version of SideControl Type 8793

Product	Mounting version	Electrical connection	cULus	ATEX II 3 GD/IECEX CCC ^{1.)}	Article no.
Mounting on control valves					
 <p>Type 8798 ▶</p>	Control valve Type 23xx	Cable gland - 10 m round cable	Yes	–	300730
		Cable gland - 10 m round cable	–	Yes	20003944
		Multipole - 10 m round cable	Yes	–	307956
	Control valve Type 27xx	Cable gland - 10 m round cable	Yes	–	211535
		Cable gland - 10 m round cable	–	Yes	226859
		Multipole - 10 m round cable	Yes	–	329888
NAMUR mounting					
	NAMUR (rotative)	Cable gland - 2 m round cable (extendable to 10 m max.)	Yes	–	211536

1.) CCC (China Compulsory Certificate) for device versions with Ex approval

Further versions on request

**Approval**

Remote sensor ATEX Cat. 3

6.4. Ordering chart Accessories**Standard Accessories****Note:**The corresponding communication software can be downloaded, see **Type 8791** ►.

Description	Article no.
M12 socket, 8-pin with 5 m cable for multipole devices without communication	919267
M8 plug, 4-pin for digital remote position sensor	917131
USB bÜS interface set (bÜS stick + connection cable to M12 plug + connection cable M12 to micro USB for the bÜS service interface) for connection to Bürkert Communicator PC tool (for all device versions except AS-Interface)	772551
bÜS cable extension M12, length 1 m	772404
bÜS cable extension M12, length 3 m	772405
bÜS cable extension M12, length 5 m	772406
bÜS cable extension M12, length 10 m	772407
Silencer G ¼" (replacement part)	780780
USB interface for serial communication (only for device versions with AS-Interface)	227093
Software Bürkert Communicator	LINK ►
AS-Interface flat cable clamp	799646

Accessories SideControl NAMUR**Note:**Detailed information can be found in chapter **"5. Product installation"** on page 21.

Description	Article no.
Mounting bracket VDI/VDE 3845 (IEC 60534 - 6 - 2) VA	770294
Adapter kit VDI/VDE 3845 (IEC 60534 - 6 - 2) VA	787338
Adapter kit for linear actuators IEC 60534 - 6 - 1 VA	787215
Position feedback with proximity switches (optional upgrade feature) ^{1.)}	677218

1.) External end position feedback for upgrading SideControl NAMUR

Accessories SideControl Remote

Description	Article no.
Bracket for wall mounting, stainless steel, see "5. Product installation" on page 21	675715
DIN rail assembly kit Aluminium/stainless steel, see "5. Product installation" on page 21	675702
Adapter kit - remote sensor, control valves Type 23xx Actuator size Ø70/90/130 mm	679917
Adapter kit - remote sensor, control valves Type 27xx Actuator size Ø175/225 mm	679945
Sensor Puck (replacement part)	682240

Bürkert – Close to You

For up-to-date addresses
please visit us at
www.burkert.com

DTS 1000123308 EN Version: V Status: RL (released | freigegeben | validé) printed: 20.04.2023

Austria
Belgium
Czech Republic
Denmark
Finland
France
Germany
Italy
Netherlands

Norway
Poland
Spain
Sweden
Switzerland
Turkey
United Kingdom

