

### Technical characteristics

- Flow rates: from 0.4 to 54 l/h
- Max back pressure: up to 20 bar
- Power supply:
  - 100÷240 Vac - 50/60 Hz
  - 24÷48 Vac (only AKL603)
- Stroke rate: from 120 to 300 strokes/minute
- Pump head:
  - PVDF
- Diaphragm: PTFE
- External Enclosure: PP reinforced with fiber glass  
protection degree IP65
- Manually priming valve
- Installation kit: Included

Seko Tekna EVO AKL Series is an analogic dosing pump with constant flow rate, which is manually adjustable by a knob mounted on the front panel, in addition there is the level control input than the Tekna AKS.

The flow rate has two frequency ranges:

- 0÷20 % of max flow rate
- 0÷100% of max flow rate

With only 5 sizes that pump can cover a wide range of performances, having a flow rate range from 0.4 to 54 l/h and a back pressure from 0.1 to 20 bar. The power supply is 100÷240 Vac – 50/60 Hz therefore the same pump can operate with different supply voltage, moreover the model AKL603 have the possibility for 24÷48 Vac/Vdc power supply.

The standard pump head is in PVDF, therefore high chemical compatibility with several liquids end but is available in PVC as well, on request.

All Tekna series are equipped with a manually priming pump for the start up.

The pump is furnished with a complete standard installation kit, which includes: PVDF foot filter and injection valve, PVC suction tube, PE delivery tube. Moreover is available an installation kit in PVC, on request.

### PUMP KEY CODE

1°	Model					
AKL	Analog dosing pump with constant flow rate manually adjustable. Two frequency range: 0÷20% and 0÷100% of max flow rate, level control input, Power ON led indicator.					
2°	Hydraulic					
	Pressure [bar]	Flow Rate [l/h]	Stroke/min	cc/stroke		
500	20	0.4	120	0.06		
	16	0.8		0.11		
	10	1.2		0.17		
	6	1.5		0.21		
600	20	2.5	120	0.35		
	18	3		0.42		
	14	4.2		0.58		
	8	7		0.97		
603 N	12	4	160	0.42		
	10	5		0.52		
	8	6		0.53		
	2	8		0.63		
603 O	7	2	160	0.21		
	5	6		0.62		
	0.2	15		1.56		
800	16	7	300	0.39		
	10	10		0.55		
	5	15		0.83		
	1	18		1.00		
803	5	20	300	1.11		
	4	25		1.39		
	2	38		2.11		
	0.1	54		3.00		
3°	Power Supply					
N	100÷240 Vac – 50/60 Hz					
O	24÷48 Vac/Vdc – 50/60 Hz (only for AKL603)					
4°	Liquid End					
	Pump head	Connections	Balls	Diaphragm		
H	PVDF	PVDF	Ceramic	PTFE	*Automatic degassing valve only for AKL 603 and 800	
P*	PVC	PVC	Ceramic	PTFE		
5°	Installation Kit					
H	PVDF					
P	PVC					
6°	Seals					
0	FPM					
1	EPDM					
2	PTFE					
7°	Options					
000	Standard					

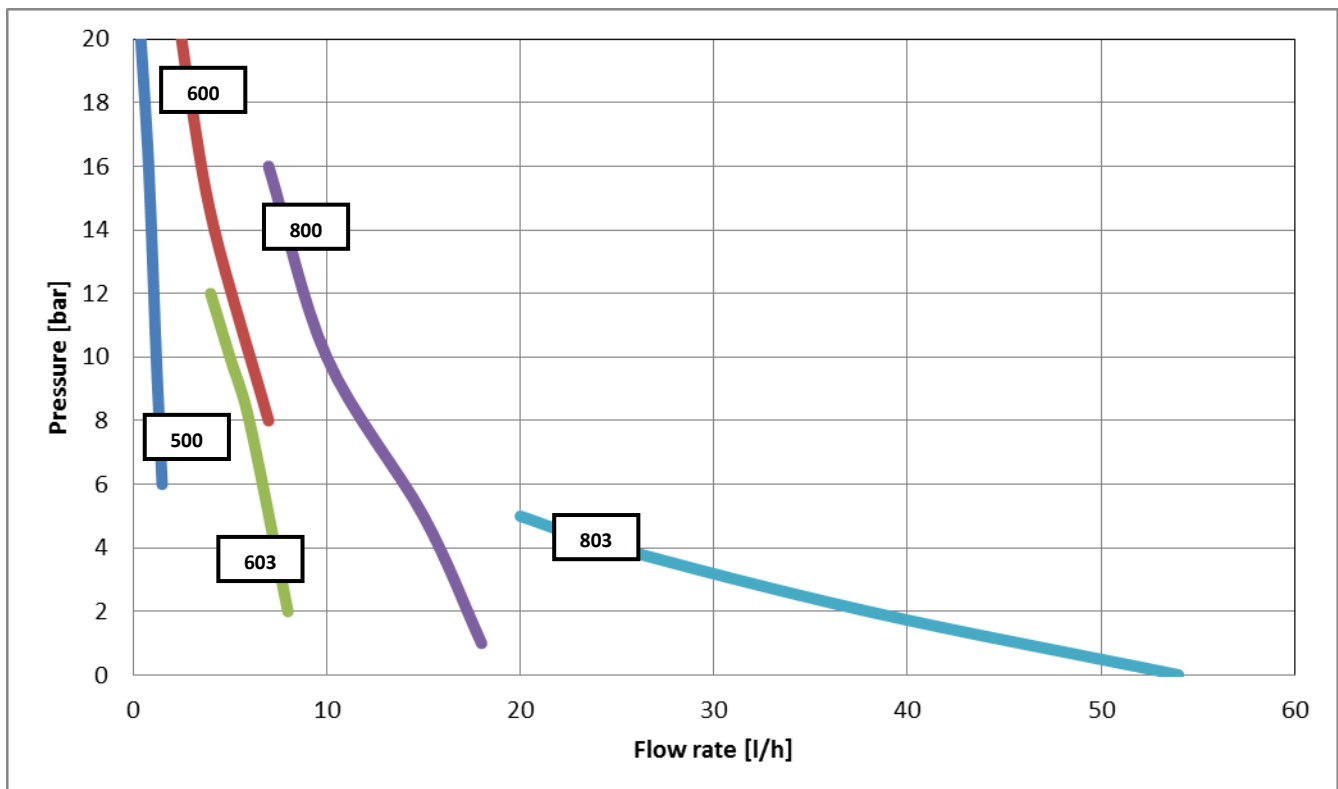
  

AKL	603	N	H	H	0	000
-----	-----	---	---	---	---	-----

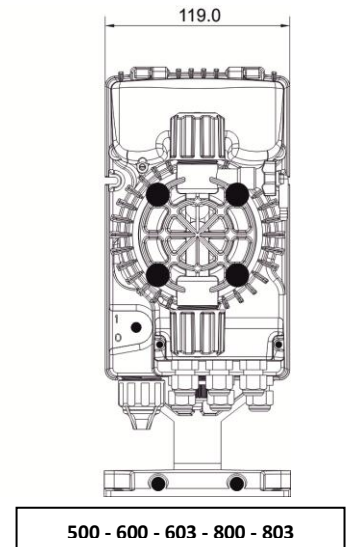
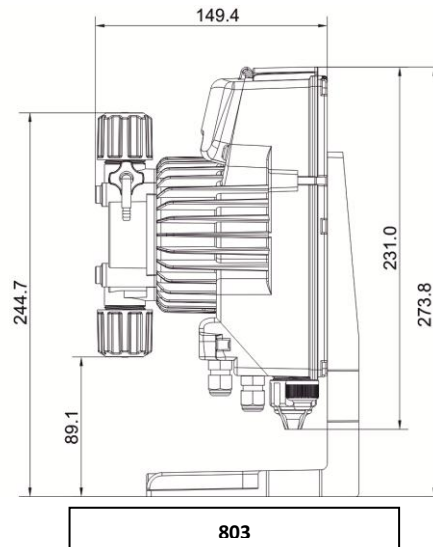
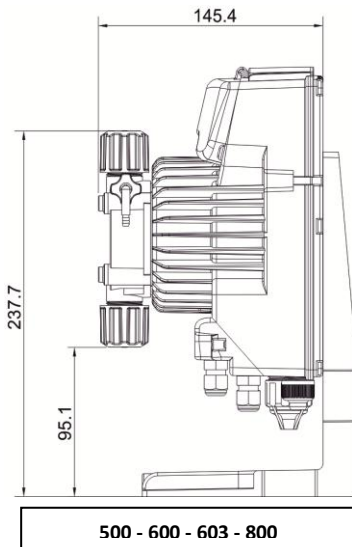
### HYDRAULIC CHARACTERISTICS

Pump Model	Pressure [bar]	Flow Rate [l/h]	Frequency max [stroke/min]	Stroke capacity [cc/stroke]	Connection [mm]		Power supply	Consumption [W]	
					Suction	Discharge		Min*	Max
A K L 5 0 0 N	20	0,4	120	0,06	4/6	4/7	100÷240 Vac	8	14
	16	0,8		0,11					
	10	1,2		0,17					
	6	1,5		0,21					
A K L 6 0 0 N	20	2,5	120	0,35	4/6	4/7	100÷240 Vac	8	15
	18	3		0,42					
	14	4.2		0,58					
	8	7		0,97					
A K L 6 0 3 N	12	4	160	0,42	4/6	4/6	100÷240 Vac	15	18
	10	5		0,52					
	8	6		0,63					
	2	8		0,83					
A K L 6 0 3 O	7	2	160	0,21	4/6	4/6	24÷48 Vac	17	17
	5	6		0,62					
	0,2	15		1,56					
A K L 8 0 0 N	16	7	300	0,39	4/6	4/6	100÷240 Vac	15	26
	10	10		0,56					
	5	15		0,83					
	1	18		1,00					
A K L 8 0 3 N	5	20	300	1,11	8/12	8/12	100÷240 Vac	15	25
	4	25		1,39					
	2	38		2,11					
	0,1	54		3,00					

\*Minimum consumption at 0 bar of back pressure (Patented)



### DIMENSIONS



### INSTALLATION KIT

#### In PVDF

- PVDF foot filter
- PVDF injection valve
- PVC suction tube (4 m)
- PE delivery tube (2 m)
- Wall and base fixing bracket

#### In PVC

- PVC foot filter
- PVC injection valve
- PVC suction tube (4 m)
- PE delivery tube (2 m)
- Wall and base fixing bracket